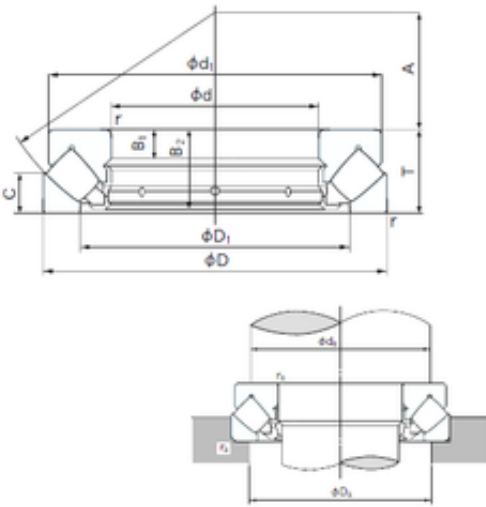




# SNR Bearing Argentina

320 mm x 580 mm x 55 mm NACHI 29464E  
thrust roller bearings

Bearing No. 29464E



29464E Bearing 2D drawings and 3D CAD models

Size	320x580x155 mm
Bore Diameter	320 mm
Outer Diameter	580 mm
Width	155 mm
d	320 mm
D	580 mm
T	155 mm
d1	555 mm
r min.	7.5 mm
A	191 mm
B1	55 mm
B2	149 mm
C	75 mm
D1	435 mm
da min.	435 mm
Da max.	495 mm
ra max.	6 mm
Weight	179 Kg
Basic dynamic load rating (C)	4050 kN
Basic static load rating (C0)	16800 kN
Bore Type	Cylindrical Bore
Enclosure	Open
Configuration	Single Row
Bore Size	320 mm
Outside Diameter	580 mm



## SNR Bearing Argentina

Fillet Radius/Chamfer	7.5 mm
Width	155 mm
Dynamic Load Rating	4,050,000 N
Static Load Rating	16,800,000 N
Limiting Speed - Oil	480 rpm
B	55 mm
da (min)	435 mm
Da (max)	495 mm
ra (max)	6 mm