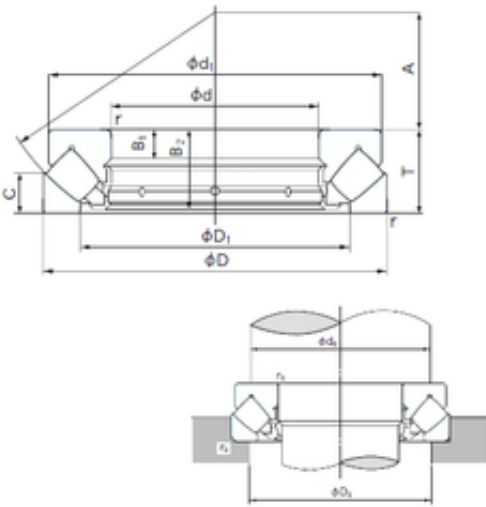




## SNR Bearing Argentina

220 mm x 360 mm x 29 mm NACHI 29344E  
thrust roller bearings

Bearing No. 29344E



29344E Bearing 2D drawings and 3D CAD models

Size	220x360x85 mm
Bore Diameter	220 mm
Outer Diameter	360 mm
Width	85 mm
d	220 mm
D	360 mm
T	85 mm
d1	345 mm
r min.	4 mm
A	125 mm
B1	29 mm
B2	81 mm
C	41 mm
D1	280 mm
da min.	285 mm
Da max.	315 mm
ra max.	3 mm
Weight	34.5 Kg
Basic dynamic load rating (C)	1410 kN
Basic static load rating (C0)	5750 kN
Bore Type	Cylindrical Bore
Enclosure	Open
Configuration	Single Row
Bore Size	220 mm
Outside Diameter	360 mm



## SNR Bearing Argentina

Fillet Radius/Chamfer	4 mm
Width	85 mm
Dynamic Load Rating	1,410,000 N
Static Load Rating	5,750,000 N
Limiting Speed - Oil	1,000 rpm
B	29 mm
da (min)	285 mm
Da (max)	315 mm
ra (max)	3 mm