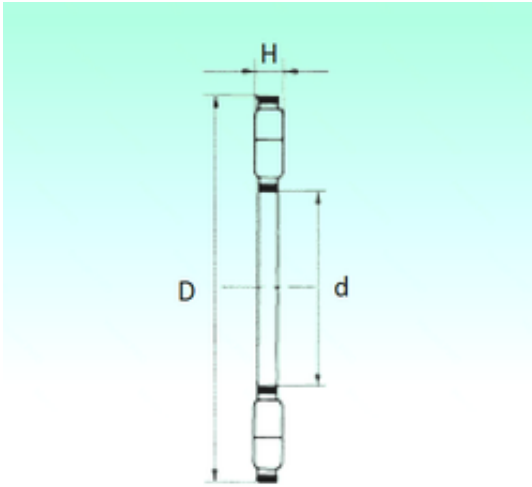




SNR Bearing Argentina



NBS K89413TN thrust roller bearings

Bearing No. K89413TN

Bore Diameter	65 mm
Outer Diameter	140 mm
d	65 mm
D	140 mm
Dw	15 mm
Weight	0,72 Kg
Basic dynamic load rating (C)	444 kN
Basic static load rating (C0)	1396 kN

K89413TN Bearing 2D drawings and 3D CAD models