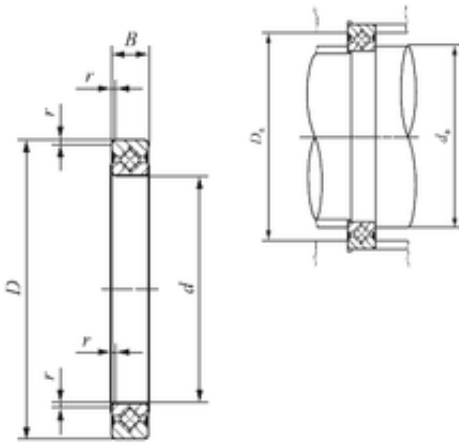




SNR Bearing Argentina

80 mm x 96 mm x 8 mm IKO CRBS 808 A UU thrust roller bearings

Bearing No. CRBS 808 A UU



CRBS 808 A UU Bearing 2D drawings and 3D CAD models

| | |
|-------------------------------|------------|
| Size | 80x96x8 mm |
| Bore Diameter | 80 mm |
| Outer Diameter | 96 mm |
| Width | 8 mm |
| d | 80 mm |
| D | 96 mm |
| B | 8 mm |
| r min. | 0.4 mm |
| Da | 91 mm |
| da | 84 mm |
| Weight | 0,122 Kg |
| Basic dynamic load rating (C) | 6,13 kN |