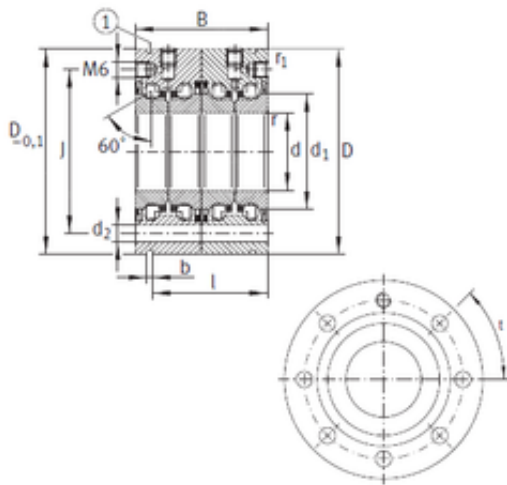




SNR Bearing Argentina



25 mm x 75 mm x 56 mm INA
ZKLF2575-2RS-2AP thrust ball bearings

Bearing No. ZKLF2575-2RS-2AP

ZKLF2575-2RS-2AP Bearing 2D drawings and 3D CAD models

Size	25x75x56 mm
Bore Diameter	25 mm
Outer Diameter	75 mm
Width	56 mm
d	25 mm
D	75 mm
B	56 mm
C	56 mm
Screw	8X45 °
l	3 mm
Angle (?)	60 °
b	47 mm
d1	40,5 mm
d2	6,8 mm
r min.	0,3 mm
r1 min.	0,6 mm
J	58 mm
Bolt (G)	M6X70
Weight	1,44 Kg
Basic dynamic load rating (C)	44,5 kN
Basic static load rating (C0)	111 kN
Category	Angular Contact Ball Bearings
Inventory	0.0
Manufacturer Name	SCHAEFFLER GROUP



SNR Bearing Argentina

Minimum Buy Quantity	N/A
Weight / Kilogram	1.724
Product Group	B00152
Enclosure	2 Seals
Flush Ground	No
Rolling Element	Ball Bearing
Number of Rows of Balls	Double Row
Precision Class	ABEC 1 ISO P0
Maximum Capacity / Filling Slot	No
Snap Ring	Yes
Cage Material	Plastic
Contact Angle	60 Degree
Internal Clearance	C0-Medium
Number of Bearings	2 (1 Pair)
Mounting Arrangement	Duplex-Face to Face
Inch - Metric	Metric
Long Description	25MM Bore; 75MM Outside Diameter; 56MM Width; 2 Seals; No Flush Ground; Ball Bearing; Double Row of Balls; ABEC 1 ISO P0; No Filling Slot; Yes Snap Ring; C0-Medium; Plastic Cage; 60 Degree; 2 (1 Pai
Other Features	With Fixing Holes With Snap Ring Groove Matched Pair Bearing
Category	Angular Contact Ball Bearing
UNSPSC	31171531
Harmonized Tariff Code	8482.10.50.28
Noun	Bearing
Keyword String	Angular Contact
Manufacturer URL	http://www.ina.com



SNR Bearing Argentina

Weight / LBS	1.58733
Outside Diameter	2.953 Inch 75 Millimeter
Width	2.205 Inch 56 Millimeter
Bore	0.984 Inch 25 Millimeter