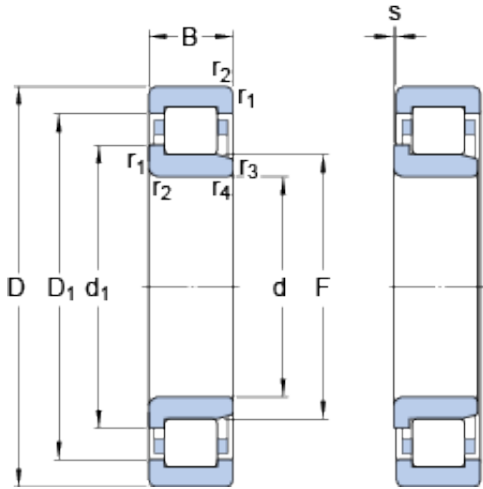




SNR Bearing Argentina



30 mm x 62 mm x 16 mm SKF NJ 206 ECJ
thrust ball bearings

Bearing No. NJ 206 ECJ

NJ 206 ECJ Bearing 2D drawings and 3D CAD models

Size	62x30x16 mm
Bore Diameter	62 mm
Outer Diameter	30 mm
Width	16 mm
d	30 mm
D	62 mm
B	16 mm
d ₁	41.2 mm
D ₁	51.95 mm
F	37.5 mm
r _{1,2} - min.	1 mm
r _{3,4} - min.	1 mm
s	1.3 mm
d _a - min.	35.3 mm
d _a - max.	36.1 mm
d _b - min.	43 mm
D _a - max.	55.9 mm
r _a - max.	1 mm
Basic dynamic load rating - C	44 kN
Basic static load rating - C ₀	36.5 kN
Fatigue load limit - P _u	4.6 kN
Reference speed	13000 r/min
Limiting speed	14000 r/min
Calculation factor - k _r	0.15



SNR Bearing Argentina

Category	Cylindrical Roller Bearings
Inventory	0.0
Manufacturer Name	SKF
Minimum Buy Quantity	N/A
Weight / Kilogram	0.225
Product Group	B04144
Bore Profile	Straight
Cage Material	Steel
Precision Class	RBEC 1 ISO P0
Number of Rows of Rollers	Single Row
Separable	Inner Ring - One Side
Rolling Element	Cylindrical Roller Bearing
Profile	Complete with Outer and Inner Ring
Snap Ring	No
Internal Clearance	C0-Medium
Retainer	Yes
Relubricatable	Yes
Inch - Metric	Metric
Other Features	High Capacity 1 Rib Inner Ring 2 Rib Outer Ring Cage on Outer Ring ID
Long Description	30MM Bore; Straight Bore Profile; 62MM Outside Diameter; 16MM Width; Steel Cage Material; RBEC 1 ISO P0; Single Row; Inner Ring - One Side Separable; No Snap Ring; Relubricatable; C0-Medium Intern
Category	Cylindrical Roller Bearing
UNSPSC	31171547
Harmonized Tariff Code	8482.50.00.00
Noun	Bearing
Manufacturer URL	http://www.skf.com



SNR Bearing Argentina

Manufacturer Item Number	NJ 206 ECJ
Weight / LBS	0.496
Width	0.63 Inch 16 Millimeter
Outside Diameter	2.441 Inch 62 Millimeter
Bore	1.181 Inch 30 Millimeter
bore diameter:	30 mm
precision rating:	RBEC 1 (ISO Class Normal)
outside diameter:	62 mm
maximum rpm:	14000 RPM
overall width:	16 mm
bearing material:	Steel
flanges:	(2) Outer Ring, (1) Inner Ring
cage material:	Steel
bore type:	Straight
finish/coating:	Uncoated
number of rows:	1
closure type:	Open
internal clearance:	C0
application:	Piston Type Machines, Rolling Mills, Spindles/Machine Tools
ring separation:	Separable Ring
outer ring width:	16 mm
operating temperature range:	Maximum of +300 ° F
fillet radius:	1 mm
dynamic load capacity:	44 kN
series:	NJ2
static load capacity:	36.5 kN
d ₁	41.2 mm
D ₁	51.95 mm
r _{1,2} min.	1 mm



SNR Bearing Argentina

$r_{3,4}$ min.	0.6 mm
s max.	1.3 mm
d_a min.	35.3 mm
d_a max.	36.1 mm
d_b min.	43 mm
D_a max.	55.9 mm
r_a max.	1 mm
Basic dynamic load rating C	44 kN
Basic static load rating C_0	36.5 kN
Fatigue load limit P_u	4.55 kN
Calculation factor k_r	0.15
Limiting value e	0.2
Axial load factor Y	0.6
Mass bearing	0.21 kg