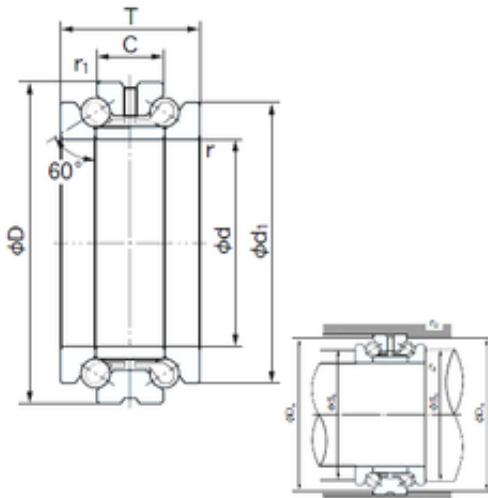




# SNR Bearing Argentina



30TAD20 Bearing 2D drawings and 3D CAD models

## NACHI 30TAD20 thrust ball bearings

Bearing No. 30TAD20

Size	30x55x32 mm
Bore Diameter	30 mm
Outer Diameter	55 mm
Width	32 mm
d	30 mm
D	55 mm
T	32 mm
ra1 max.	0.6 mm
Angle ( ° )	60 °
d1	47 mm
r min.	1 mm
r1 min.	0.6 mm
C	16 mm
da min.	39 mm
Da max.	51 mm
ra max.	1 mm
Weight	0.301 Kg
Basic dynamic load rating (C)	14 kN
Basic static load rating (C0)	27,1 kN
(Grease) Lubrication Speed	7000 r/min