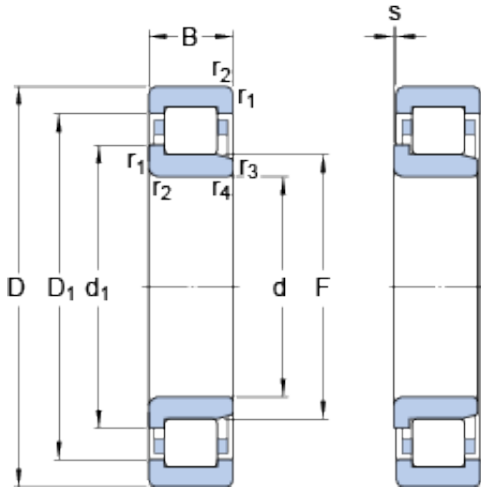




SNR Bearing Argentina



140 mm x 250 mm x 42 mm SKF NJ 228 ECML
thrust ball bearings

Bearing No. NJ 228 ECML

NJ 228 ECML Bearing 2D drawings and 3D CAD
models

Size	250x140x42 mm
Bore Diameter	250 mm
Outer Diameter	140 mm
Width	42 mm
d	140 mm
D	250 mm
B	42 mm
d ₁	179 mm
D ₁	216.7 mm
F	169 mm
r _{1,2} - min.	3 mm
r _{3,4} - min.	3 mm
s	2.5 mm
d _a - min.	154 mm
d _a - max.	165 mm
d _b - min.	182 mm
D _a - max.	235 mm
r _a - max.	2.5 mm
Basic dynamic load rating - C	450 kN
Basic static load rating - C ₀	510 kN
Fatigue load limit - P _u	57 kN
Reference speed	2800 r/min
Limiting speed	4800 r/min
Calculation factor - k _r	0.23



SNR Bearing Argentina

d_1	179 mm
D_1	216.7 mm
$r_{1,2}$ min.	3 mm
$r_{3,4}$ min.	3 mm
s max.	2.5 mm
d_a min.	154 mm
d_a max.	165 mm
d_b min.	182 mm
D_a max.	235 mm
r_a max.	2.5 mm
Basic dynamic load rating C	450 kN
Basic static load rating C_0	510 kN
Fatigue load limit P_u	57 kN
Calculation factor k_r	0.23
Limiting value e	0.2
Axial load factor Y	0.6
Mass bearing	9.48 kg
Angle ring	HJ 228 EC