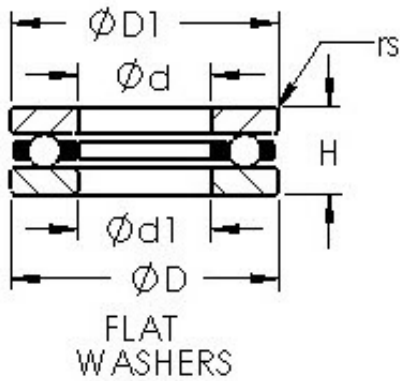




SNR Bearing Argentina



AST F4-10 thrust ball bearings

Bearing No. F4-10

Bore Diameter	4 mm
Outer Diameter	10 mm
Bearing Type	with flat raceway(s)
Bore Dia (d)	4.0000
Outer Dia (D)	10.0000
Radius (min) (rs)	0.150
Dynamic Load Rating (Cr)	274
Static Load Rating (Cor)	245
Ball Qty	7
Ball Dia (Dw)	1.5880
Height (H)	4.5000
Outer Dia. Pilot (D1)	10.0000
Bore Dia. Clearance (d1)	4.0000
Weight (g)	2.00
Material	52100 chrome steel, or equivalent.

F4-10 Bearing 2D drawings and 3D CAD models