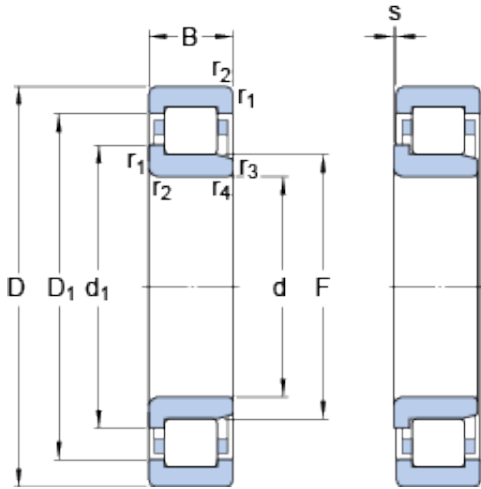




## SNR Bearing Argentina



90 mm x 160 mm x 30 mm SKF NJ 218 ECM  
thrust ball bearings

Bearing No. NJ 218 ECM

NJ 218 ECM Bearing 2D drawings and 3D CAD models

Size	160x90x30 mm
Bore Diameter	160 mm
Outer Diameter	90 mm
Width	30 mm
d	90 mm
D	160 mm
B	30 mm
d <sub>1</sub>	114 mm
D <sub>1</sub>	138.45 mm
F	107 mm
r <sub>1,2</sub> - min.	2 mm
r <sub>3,4</sub> - min.	2 mm
s	1.8 mm
d <sub>a</sub> - min.	101 mm
d <sub>a</sub> - max.	104 mm
d <sub>b</sub> - min.	117 mm
D <sub>a</sub> - max.	149 mm
r <sub>a</sub> - max.	2 mm
Basic dynamic load rating - C	208 kN
Basic static load rating - C <sub>0</sub>	220 kN
Fatigue load limit - P <sub>u</sub>	27 kN
Reference speed	4500 r/min
Limiting speed	5000 r/min
Calculation factor - k <sub>r</sub>	0.15



## SNR Bearing Argentina

Category	Cylindrical Roller Bearings
Inventory	0.0
Manufacturer Name	SKF
Minimum Buy Quantity	N/A
Weight / Kilogram	2.852
EAN	7316576624209
Product Group	B04144
Bore Profile	Straight
Cage Material	Brass
Precision Class	RBEC 1   ISO P0
Number of Rows of Rollers	Single Row
Separable	Inner Ring - One Side
Rolling Element	Cylindrical Roller Bearing
Profile	Complete with Outer and Inner Ring
Snap Ring	No
Internal Clearance	C0-Medium
Retainer	Yes
Relubricatable	Yes
Inch - Metric	Metric
Other Features	High Capacity   1 Rib Inner Ring   2 Rib Outer Ring   Cage on Outer Ring ID
Long Description	90MM Bore; Straight Bore Profile; 160MM Outside Diameter; 30MM Width; Brass Cage Material; RBEC 1   ISO P0; Single Row; Inner Ring - One Side Separable; No Snap Ring; Relubricatable; C0-Medium Intern
Category	Cylindrical Roller Bearing
UNSPSC	31171547
Harmonized Tariff Code	8482.50.00.00
Noun	Bearing



## SNR Bearing Argentina

Manufacturer URL	<a href="http://www.skf.com">http://www.skf.com</a>
Manufacturer Item Number	NJ 218 ECM
Weight / LBS	6.283
Width	1.181 Inch   30 Millimeter
Outside Diameter	6.299 Inch   160 Millimeter
Bore	3.543 Inch   90 Millimeter
bore diameter:	90 mm
precision rating:	RBEC 1 (ISO Class Normal)
outside diameter:	160 mm
maximum rpm:	5000 RPM
overall width:	30 mm
bearing material:	Steel
flanges:	(2) Outer Ring, (1) Inner Ring
cage material:	Brass
bore type:	Straight
finish/coating:	Uncoated
number of rows:	1
closure type:	Open
internal clearance:	C0
application:	Piston Type Machines, Rolling Mills, Spindles/Machine Tools
ring separation:	Separable Ring
outer ring width:	30 mm
operating temperature range:	Maximum of +300 ° F
fillet radius:	2 mm
dynamic load capacity:	208 kN
series:	NJ2
static load capacity:	220 kN
d <sub>1</sub>	114 mm
D <sub>1</sub>	138.45 mm



## SNR Bearing Argentina

$r_{1,2}$ min.	2 mm
$r_{3,4}$ min.	2 mm
s max.	1.8 mm
$d_a$ min.	101 mm
$d_a$ max.	104 mm
$d_b$ min.	117 mm
$D_a$ max.	149 mm
$r_a$ max.	2 mm
Basic dynamic load rating C	208 kN
Basic static load rating $C_0$	220 kN
Fatigue load limit $P_u$	27 kN
Calculation factor $k_r$	0.15
Limiting value e	0.2
Axial load factor Y	0.6
Mass bearing	2.79 kg
Angle ring	HJ 218 EC