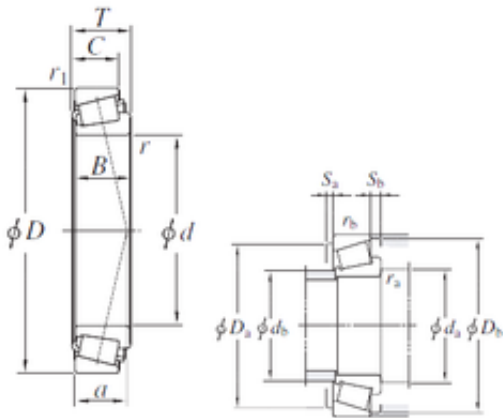




SNR Bearing Argentina

346,075 mm x 482,6 mm x 55,563 mm KOYO
EE161363/161900 tapered roller bearings

Bearing No. EE161363/161900



EE161363/161900 Bearing 2D drawings and 3D CAD models

Size	346.075x482.6x60.325 mm
Bore Diameter	346,075 mm
Outer Diameter	482,6 mm
Width	60,325 mm
d	346,075 mm
D	482,6 mm
T	60,325 mm
B	55,563 mm
C	38,1 mm
a	93,7 mm
r min.	7,1 mm
r1 min.	6,4 mm
da min.	368 mm
Da min	440 mm
Da max.	462 mm
db max.	388 mm
ra max.	7,1 mm
rb max.	6,4 mm
Db	453 mm
Weight	29,4 Kg
Basic dynamic load rating (C)	613 kN
Basic static load rating (C0)	1250 kN
Calculation factor (e)	0,5
Calculation factor (Y0)	0,66