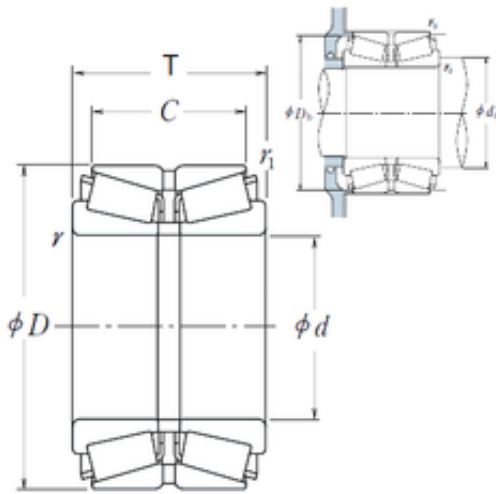




SNR Bearing Argentina



150KBE2502+L Bearing 2D drawings and 3D CAD models

NSK 150KBE2502+L tapered roller bearings

Bearing No. 150KBE2502+L

Size	150x250x115 mm
Bore Diameter	150 mm
Outer Diameter	250 mm
Width	115 mm
d	150 mm
D	250 mm
T	115 mm
C	95 mm
r min.	3 mm
r1 min.	1 mm
da min.	168 mm
Db min.	238 mm
ra max.	2,5 mm
rb max.	1 mm
Weight	20,9 Kg
Basic dynamic load rating (C)	745 kN
Basic static load rating (C0)	1320 kN
(Grease) Lubrication Speed	1100 r/min
(Oil) Lubrication Speed	1500 r/min
Calculation factor (e)	0,37
Calculation factor (Y0)	1,8
Calculation factor (Y2)	2,7