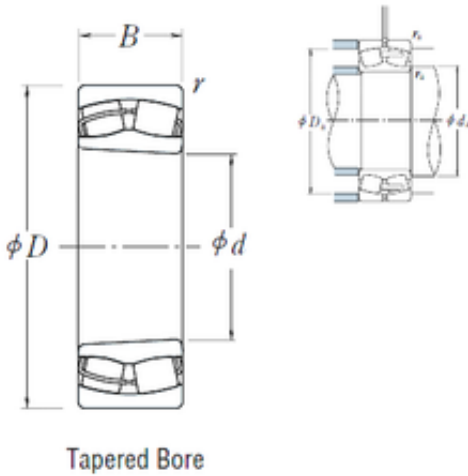




SNR Bearing Argentina

120 mm x 200 mm x 80 mm NSK 24124CK30E4 spherical roller bearings

Bearing No. 24124CK30E4



24124CK30E4 Bearing 2D drawings and 3D CAD models

Size	120x200x80 mm
Bore Diameter	120 mm
Outer Diameter	200 mm
Width	80 mm
d	120 mm
D	200 mm
B	80 mm
C	80 mm
r min.	2 mm
da min.	130 mm
da max	136 mm
Da min	171 mm
Da max.	190 mm
ra max.	2 mm
Weight	10 Kg
Basic dynamic load rating (C)	575 kN
Basic static load rating (C0)	950 kN
(Grease) Lubrication Speed	1400 r/min
(Oil) Lubrication Speed	1800 r/min
Calculation factor (e)	0,37
Calculation factor (Y0)	1,8
Calculation factor (Y2)	2,7
Category	Bearings
Inventory	0.0
Manufacturer Name	NSK



SNR Bearing Argentina

Minimum Buy Quantity	N/A
Weight / Kilogram	9.6
Product Group	B04311
Y3	1.8
hidYobi	24124CK30E4
LangID	1
Y1	1.8
D_	200
Y2	2.7
Macha rpm	0
B_	80
da min	130
hidTable	ecat_NSSPHR
Oil rpm	1800
Y0	1.8
mass	10
GRS rpm	1400
ra	2
TSR rpm	2000
C0	950
DE_	180.54
X0	1
Prod_Type3	SRB_CTB_TB
X1	1
X2	0.67
SIR	31
e	0.37
DA_	20
bomp	24124CK30E4
Z_	21
ALP2	55
ALP1	13



SNR Bearing Argentina

ALP3	0
D_a max	190
D_a min	171
yobi	24124CK30E4
ALPHA_	0.243
SDM_	161.127
r	2
KBRG	2322
SBRG	41
DI_	141.714