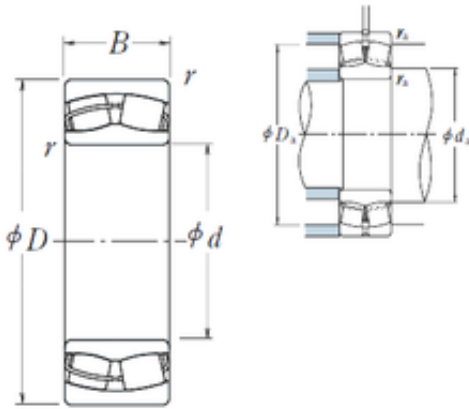




SNR Bearing Argentina



150 mm x 225 mm x 75 mm NSK 24030CE4 spherical roller bearings

Bearing No. 24030CE4

24030CE4 Bearing 2D drawings and 3D CAD models

Size	150x225x75 mm
Bore Diameter	150 mm
Outer Diameter	225 mm
Width	75 mm
d	150 mm
D	225 mm
B	75 mm
C	75 mm
r min.	2,1 mm
da min.	162 mm
da max	165 mm
Da min	198 mm
Da max.	213 mm
ra max.	2 mm
Weight	10,5 Kg
Basic dynamic load rating (C)	590 kN
Basic static load rating (C0)	1090 kN
(Grease) Lubrication Speed	1200 r/min
(Oil) Lubrication Speed	1500 r/min
Calculation factor (e)	0,3
Calculation factor (Y0)	2,2
Calculation factor (Y2)	3,4
Category	Spherical Roller Bearings
Inventory	0.0
Manufacturer Name	NSK



SNR Bearing Argentina

Minimum Buy Quantity	N/A
Weight / Kilogram	10.8
EAN	0029176037054
Product Group	B04311
Internal Clearance	C0-Medium
Mounting Method	Shaft Mount
Rolling Element	Spherical Roller Bearing
Bore Profile	Straight
Cage Material	Steel
Enclosure	Open
Number of Rows of Rollers	Double Row
Relubricatable	Yes
Withdrawal Sleeve	Not Applicable
Inch - Metric	Metric
Long Description	150MM Straight Bore; 225MM Outside Diameter; 75MM Width; C0-Medium Clearance; Shaft Mount; Double Row of Spherical Roller Bearings; Steel Cage Material; Open Enclosure; Relubricatable
Category	Spherical Roller Bearing
UNSPSC	31171510
Harmonized Tariff Code	84823080
Noun	Bearing
Keyword String	Spherical
Manufacturer URL	http://www.nskamericas.com
Manufacturer Item Number	24030CE4
Weight / LBS	10.8
Width	2.953 Inch 75 Millimeter
Bore	5.906 Inch 150 Millimeter
Adapter Part Number	Not Applicable Inch Not Applicable Millimeter



SNR Bearing Argentina

Outside Diameter	8.858 Inch 225 Millimeter
Y3	2.3
hidYobi	24030CE4
LangID	1
Y1	2.3
D_	225
Y2	3.4
Macha rpm	0
B_	75
da min	162
hidTable	ecat_NSSPHR
Oil rpm	1500
Y0	2.2
mass	10.5
GRS rpm	1200
ra	2
TSR rpm	1900
C0	1090
DE_	205.965
X0	1
Prod_Type3	SRB_CTB_CB
X1	1
X2	0.67
SIR	30
e	0.3
DA_	18.5
bomp	24030CE4
Z_	26
ALP2	15
ALP1	11
ALP3	0
D_a max	213



SNR Bearing Argentina

D_a min	198
yobi	24030CE4
ALPHA_	0.196
SDM_	187.82
r	2.1
KBRG	2322
SBRG	40
DI_	169.676