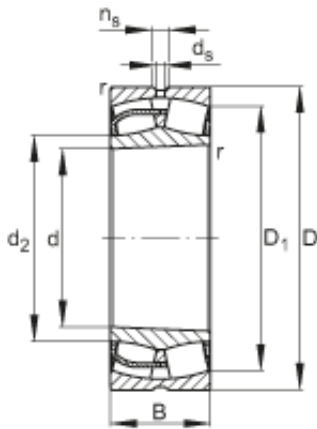




# SNR Bearing Argentina



200 mm x 340 mm x 140 mm FAG  
24140-E1-K30 spherical roller bearings

Bearing No. 24140-E1-K30

24140-E1-K30 Bearing 2D drawings and 3D CAD models

Size	200x340x140 mm
Bore Diameter	200 mm
Outer Diameter	340 mm
Width	140 mm
d	200 mm
D	340 mm
B	140 mm
D <sub>1</sub>	287,9 mm
D <sub>a max</sub>	326 mm
d <sub>2</sub>	227,1 mm
d <sub>a min</sub>	214 mm
d <sub>s</sub>	6,3 mm
n <sub>s</sub>	12,2 mm
r <sub>a max</sub>	2,5 mm
r <sub>min</sub>	3 mm
m	48,5 kg / Weight
C <sub>r</sub>	1880000 N / Dynamic load rating (radial)
e	0,39
Y <sub>1</sub>	1,71
Y <sub>2</sub>	2,54
C <sub>0r</sub>	2800000 N / Static load rating (radial)
Y <sub>0</sub>	1,67



## SNR Bearing Argentina

$n_G$	1780 1/min / Limiting speed
$n_B$	850 1/min
$C_{ur}$	250000 N / Fatigue limit load, radial