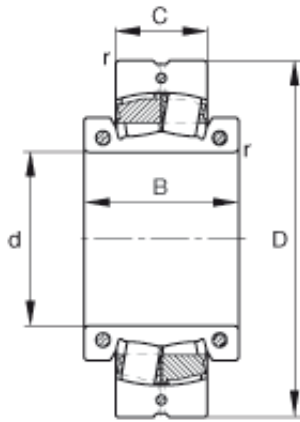




SNR Bearing Argentina



115 mm x 200 mm x 90 mm FAG 230SM115-MA spherical roller bearings

Bearing No. 230SM115-MA

230SM115-MA Bearing 2D drawings and 3D CAD models

Size	115x200x52 mm
Bore Diameter	115 mm
Outer Diameter	200 mm
Width	52 mm
d	115 mm
D	200 mm
C	52 mm
B	90 mm
r_{\min}	2 mm
m	10,5 kg / Weight
C_r	305000 N / Dynamic load rating (radial)
e	0,22
Y_1	3,04
Y_2	4,53
C_{0r}	455000 N / Static load rating (radial)
Y_0	2,97
n_G	1390 1/min / Limiting speed
C_{ur}	35000 N / Fatigue limit load, radial
$F_{a \max}$	7600 N / Permissible axial load, for inner ring without axial abutment
M_i	14 Nm / Tightening torque per clamping screw



SNR Bearing Argentina

M_a	9 Nm / Tightening torque per clamping screw
	23026K / Designation, spherical roller bearing, unsplit
	H3026 / Adapter sleeve