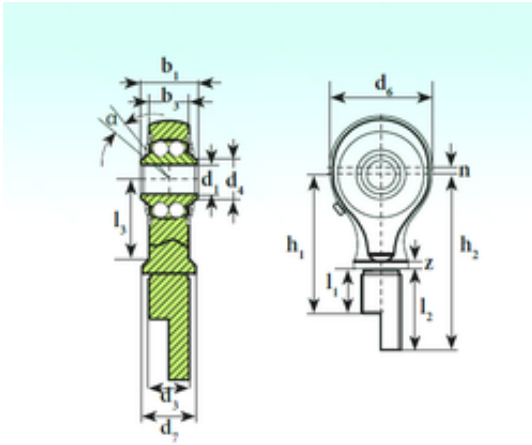




SNR Bearing Argentina



TSM 10-01 BB-E Bearing 2D drawings and 3D CAD models

ISB TSM 10-01 BB-E self aligning ball bearings

Bearing No. TSM 10-01 BB-E

Bore Diameter	10 mm
d1	10 mm
d7	19 mm
Z	2,5 mm
u	2,5 mm
b1	20 mm
d4	13,5 mm
d6	36 mm
h1	58,5 mm
l1 min.	26 mm
l3 min.	28 mm
B3	14 mm
Thread (G)	M14x1,5
Angle	9,5 °
Weight	0,154 Kg
Basic dynamic load rating (C)	5,15 kN
Basic static load rating (C0)	1,96 kN
Limiting speed	1150 r/min
Calculation factor (Y)	1,69