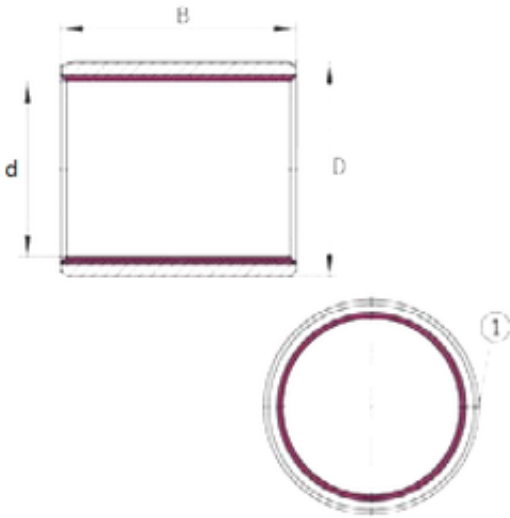




## SNR Bearing Argentina



38,1 mm x 42,069 mm x 31,75 mm INA  
EGBZ2420-E40 plain bearings

Bearing No. EGBZ2420-E40

EGBZ2420-E40 Bearing 2D drawings and 3D CAD models

Size	38.1x42.069x31.75 mm
Bore Diameter	38,1 mm
Outer Diameter	42,069 mm
Width	31,75 mm
d	38,1 mm
D	42,069 mm
B	31,75 mm
Category	Sleeve Bearings
Inventory	0.0
Manufacturer Name	SCHAEFFLER GROUP
Minimum Buy Quantity	N/A
Weight / Kilogram	0.071
Product Group	B04264
Profile	Bushing No Flange Split
Material Description	Steel Backing, Bronze Innerstructure, PTFE-lead Overlay
Material	Permaglide P10
Inch - Metric	Inch
Long Description	1-1/2" Nominal Bore; 1-21/32" Nominal Outside Diameter; 1-1/4" Length Thru Bore; Bushing No Flange Split Profile; Steel Backing, Bronze Innerstructure, PTFE-lead Overlay; Permaglide P10
Category	Sleeve Bearings



## SNR Bearing Argentina

UNSPSC	31171515
Harmonized Tariff Code	84833080
Noun	Bearing
Keyword String	Plain
Manufacturer URL	<a href="http://www.ina.com">http://www.ina.com</a>
Manufacturer Item Number	PAPZ2420P10
Weight / LBS	0.156
Length Thru Bore	1.25 Inch   31.75 Millimeter
Nominal Bore	1.5 Inch   38.1 Millimeter
Nominal Outside Diameter	1.656 Inch   42.062 Millimeter