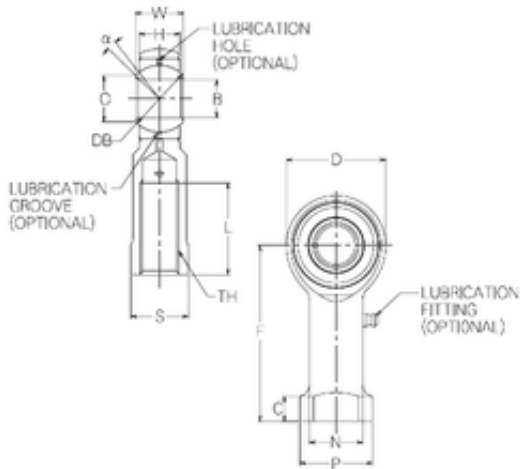




SNR Bearing Argentina

4 mm x 18 mm x 4 mm NMB HR4 plain bearings



Bearing No. HR4

Bore Diameter	4 mm
d	4 mm
P	11 mm
Db	11,11 mm
O	5,8 mm
B	4 mm
C	3,5 mm
D	18 mm
F	32 mm
H	7,75 mm
L	16 mm
N	8,5 mm
S	10 mm
W	9,5 mm
Angle	16 °
Thread (TH)	M4 x 0,7

HR4 Bearing 2D drawings and 3D CAD models