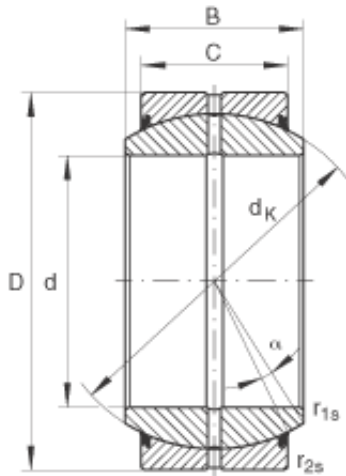




SNR Bearing Argentina



GE300-DO-2RS Bearing 2D drawings and 3D CAD models

INA GE300-DO-2RS plain bearings

Bearing No. GE300-DO-2RS

Size	300x430x165 mm
Bore Diameter	300 mm
Outer Diameter	430 mm
Width	165 mm
C	120 mm
$D_{a \min}$	370 mm
$d_{a \max}$	336,7 mm
d_K	375 mm
$r_{1s \min}$	1,1 mm
$r_{2s \min}$	1,1 mm
alf (°)	7
Weight (kg)	77,3
C_r (N)	3830000
C_{Or} (N)	19100000
Category	Spherical Plain Bearings - Radial
Inventory	0.0
Manufacturer Name	SCHAEFFLER GROUP
Minimum Buy Quantity	N/A
Weight / Kilogram	92.565
EAN	4012802534351
Product Group	B04264
Self Aligning	Yes
Rolling Element	Spherical Plain
Material - Outer Member	Steel
Material - Ball	Steel



SNR Bearing Argentina

Material - Liner	Not Applicable
Relubricatable	Yes
Enclosure	2 Seals
Other Features	2 Piece Single Axial Split in Outer Ring
Long Description	300MM Bore; 120MM Housing Width; 430MM Outside Diameter; Spherical Plain; Steel Outer Member; Steel Ball; No Liner; 165MM Overall Width; Relubricatable
Inch - Metric	Metric
Category	Plain Bearings Spherical Radial
UNSPSC	31171515
Harmonized Tariff Code	8483.30.80.70
Noun	Bearing
Keyword 3	Spherical
Keyword String	Plain Spherical Radial
Manufacturer URL	http://www.ina.com
Manufacturer Item Number	GE300DO2RS
Weight / LBS	165
Overall Width	6.496 Inch 165 Millimeter
Outside Diameter	16.929 Inch 430 Millimeter
Housing Width	4.724 Inch 120 Millimeter
Bore	11.811 Inch 300 Millimeter