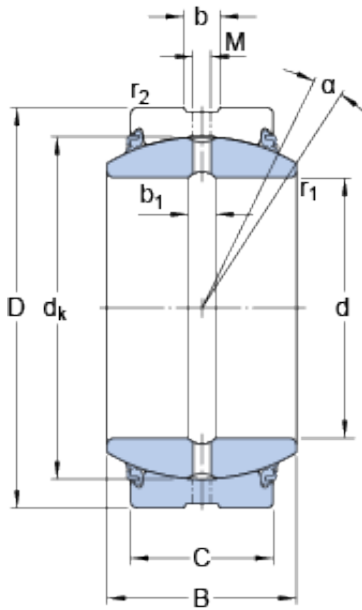




SNR Bearing Argentina

70 mm x 105 mm x 49 mm SKF GE 70 ES-2LS
plain bearings

Bearing No. GE 70 ES-2LS



GE 70 ES-2LS Bearing 2D drawings and 3D CAD models

| | |
|---|-----------------------|
| Size | 105x70x49 mm |
| Bore Diameter | 105 mm |
| Outer Diameter | 70 mm |
| Width | 49 mm |
| d | 70 mm |
| D | 105 mm |
| B | 49 mm |
| C | 40 mm |
| | 6 ° |
| dk | 92 mm |
| b | 7.7 mm |
| b ₁ | 7.7 mm |
| M | 4 mm |
| r ₁ - min. | 1 mm |
| r ₂ - min. | 1 mm |
| d _a - min. | 76.7 mm |
| d _a - max. | 77.9 mm |
| D _a - min. | 92 mm |
| D _a - max. | 99 mm |
| r _a - max. | 1 mm |
| r _b - max. | 1 mm |
| Basic dynamic load rating - C | 315 kN |
| Basic static load rating - C ₀ | 1560 kN |
| Specific factor dinamic load - K | 100 N/mm ² |



SNR Bearing Argentina

| | |
|-------------------------------------|--|
| Specific factor static load - K_0 | 500 N/mm ² |
| Constant - K_M | 330 |
| Category | Spherical Plain Bearings - Radial |
| Inventory | 0.0 |
| Manufacturer Name | SKF |
| Minimum Buy Quantity | N/A |
| Weight / Kilogram | 1.55 |
| EAN | 7316571782379 |
| Product Group | B04264 |
| Self Aligning | Yes |
| Rolling Element | Spherical Plain |
| Material - Outer Member | Steel |
| Material - Ball | Steel |
| Material - Liner | Not Applicable |
| Relubricatable | Yes |
| Enclosure | 2 Seals |
| Other Features | 2 Piece Triple Lip Heavy Duty Seals Lubrication Hole and an Annular Groove in Both Rings |
| Long Description | 70MM Bore; 40MM Housing Width; 105MM Outside Diameter; Spherical Plain; Steel Outer Member; Steel Ball; No Liner; 49MM Overall Width; Relubricatable |
| Inch - Metric | Metric |
| Category | Plain Bearings Spherical Radial |
| UNSPSC | 31171515 |
| Harmonized Tariff Code | 8483.30.80.70 |
| Noun | Bearing |
| | |



SNR Bearing Argentina

| | |
|--|---|
| Keyword 3 | Spherical |
| Keyword String | Plain Spherical Radial |
| Manufacturer URL | http://www.skf.com |
| Manufacturer Item Number | GE 70 ES-2LS |
| Weight / LBS | 3.417 |
| Overall Width | 1.929 Inch 49 Millimeter |
| Outside Diameter | 4.134 Inch 105 Millimeter |
| Bore | 2.756 Inch 70 Millimeter |
| Housing Width | 1.575 Inch 40 Millimeter |
| Lubricant | Regular relubrication – grease |
| Design (sliding contact surface combination) | Steel/steel |
| Sealing solution | Triple-lip seals |
| | 6 ° |
| d_k | 92 mm |
| b_1 | 7.7 mm |
| r_1 min. | 1 mm |
| r_2 min. | 1 mm |
| d_a min. | 76.7 mm |
| d_a max. | 77.9 mm |
| D_a min. | 92 mm |
| D_a max. | 99 mm |
| r_a max. | 1 mm |
| r_b max. | 1 mm |
| Basic dynamic load rating C | 315 kN |
| Basic static load rating C_0 | 1560 kN |
| Specific dynamic load factor K | 100 N/mm ² |
| Specific static load factor K_0 | 500 N/mm ² |
| Material constant K_M | 330 |
| Mass plain bearing | 1.55 kg |