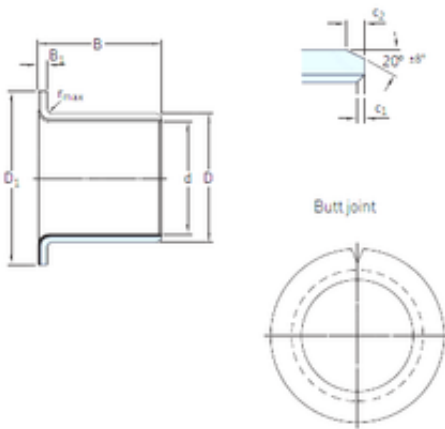




SNR Bearing Argentina

14 mm x 16 mm x 17 mm SKF PCMF 141617 E plain bearings



Bearing No. PCMF 141617 E

PCMF 141617 E Bearing 2D drawings and 3D CAD models

| | |
|--------------------------------|----------------|
| Size | 14x16x17 mm |
| Bore Diameter | 14 mm |
| Outer Diameter | 16 mm |
| Width | 17 mm |
| d | 14 mm |
| D | 16 mm |
| B | 17 mm |
| c1 min | 0,1 mm |
| c2 min | 0,2 mm |
| r max | 1 mm |
| B1 | 1 mm |
| D1 | 22 mm |
| Weight | 0,0075 Kg |
| Dynamic load rating radial (C) | 16,6 kN |
| Dynamic load rating axial (C) | 10 kN |
| Static load rating radial (C0) | 52 kN |
| Category | Plain Bearings |
| Inventory | 0.0 |
| Manufacturer Name | SKF |
| Minimum Buy Quantity | N/A |
| Weight / Kilogram | 0.198 |
| EAN | 7316571886350 |
| Product Group | B04264 |
| D ₁ | 22 mm |
| | |



SNR Bearing Argentina

| | |
|---|-----------------------|
| B_1 | 1 mm |
| c_1 min. | 0.1 mm |
| c_1 max. | 0.6 mm |
| c_2 min. | 0.2 mm |
| c_2 max. | 1 mm |
| ± 8 | 20 ° |
| r max. | 1 mm |
| Tolerance shaft | f7 |
| Tolerance housing | H7 |
| Basic dynamic load rating - radial direction C | 16.6 kN |
| Basic static load rating - radial direction C_0 | 52 kN |
| Basic dynamic load rating - axial direction C_a | 10 kN |
| Basic static load rating - axial direction C_{0a} | 31.5 kN |
| Specific dynamic load factor K | 80 N/mm ² |
| Specific static load factor K_0 | 250 N/mm ² |
| Factor depending on material and bearing type K_M | 480 |
| Permissible sliding velocity v min. | 0 m/s |
| Permissible sliding velocity v max. | 2 m/s |
| Coefficient of friction μ min. | 0.03 |
| Coefficient of friction μ max. | 0.25 |
| Mass bushing | 0.0075 kg |