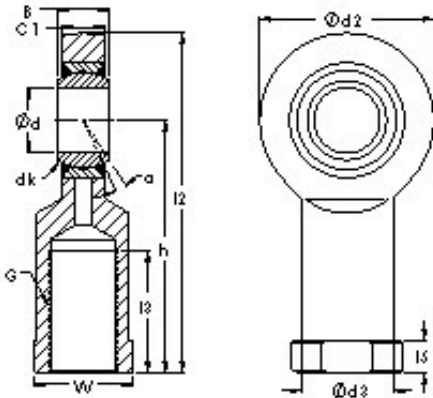




# SNR Bearing Argentina



## AST SIJK16C plain bearings

Bearing No. SIJK16C

Bore Diameter	16 mm
Width	21 mm
Bearing Type - steel-on-PTFE composite	steel on PTFE composite
Bore Dia (d)	16.0000
Width (B)	21.0000
Radius (min) (rs)	0.300
Dynamic Load Rating (Cr)	23,000
Static Load Rating (Cor)	29,000
Spherical Diameter (dk or Dk)	28.580
Mis-alignment Angle (a deg.)	14
Thread Length (l1)	24.000
Bore Center to End of Rod (h)	64.000
Rod Overall Length (l2)	85.000
Rod End Thickness (C1)	15.500
Bore Center to Body (l7)	21
Thread Size (G)	M16
Rod End Width (d2)	42.000
Body Dia. (d3)	22.000
Body End Dia. (d4)	27.000
Body End Width (l5)	8.000
Body End Flats (W)	24.000
Weight (g)	250.00
Material - Body - Carbon steel-zinc plated, Ball -	PTFE composite material

SIJK16C Bearing 2D drawings and 3D CAD models



## SNR Bearing Argentina

Hardened chrome steel- chrome plated, Liner	
--	--