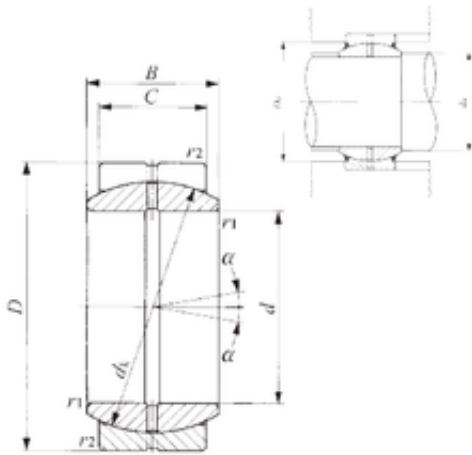




SNR Bearing Argentina

50 mm x 75 mm x 35 mm IKO GE 50ES plain bearings



GE 50ES Bearing 2D drawings and 3D CAD models

Bearing No. GE 50ES

Size	50x75x35 mm
Bore Diameter	50 mm
Outer Diameter	75 mm
Width	35 mm
d	50 mm
D	75 mm
B	35 mm
C	28 mm
dk	66 mm
r1 min.	0,6 mm
r2 min.	1 mm
da min.	54,5 mm
da max	56 mm
Da min	69,5 mm
Da max.	66 mm
Angle	6 °
Weight	0,56 Kg
Basic dynamic load rating (C)	181 kN