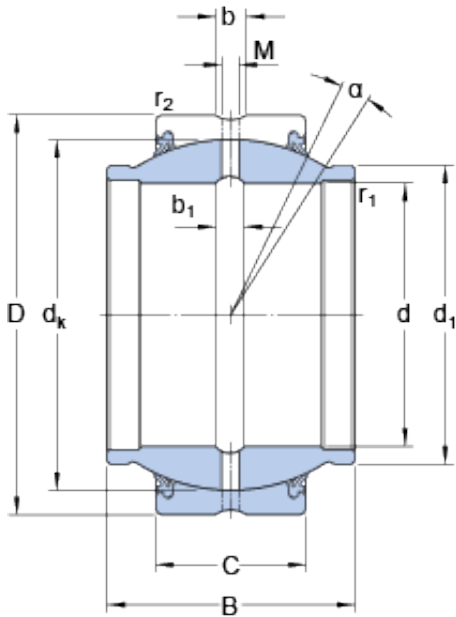




SNR Bearing Argentina

20 mm x 35 mm x 24 mm SKF GEM 20 ES-2RS plain bearings

Bearing No. GEM 20 ES-2RS



GEM 20 ES-2RS Bearing 2D drawings and 3D CAD models

Size	35x20x24 mm
Bore Diameter	35 mm
Outer Diameter	20 mm
Width	24 mm
d	20 mm
D	35 mm
B	24 mm
C	12 mm
	6 °
d _k	29 mm
d ₁	24 mm
b	3.1 mm
b ₁	3.1 mm
M	2 mm
r ₁ - min.	0.3 mm
r ₂ - min.	0.3 mm
d _a - min.	23 mm
d _a - max.	24 mm
D _a - min.	30.9 mm
D _a - max.	33.2 mm
r _a - max.	0.3 mm
r _b - max.	0.3 mm
Basic dynamic load rating - C	30 kN
Basic static load rating - C ₀	146 kN



SNR Bearing Argentina

Specific factor dynamic load - K	100 N/mm ²
Specific factor static load - K ₀	500 N/mm ²
Constant - K _M	330
Category	Spherical Plain Bearings - Radial
Inventory	0.0
Manufacturer Name	SKF
Minimum Buy Quantity	N/A
Weight / Kilogram	0.071
EAN	7316577105172
Product Group	B04264
Self Aligning	Yes
Rolling Element	Spherical Plain
Material - Outer Member	Steel
Material - Ball	Steel
Material - Liner	Not Applicable
Relubricatable	Yes
Enclosure	2 Seals
Other Features	2 Piece Extended Inner Ring on Both Sides Double Lip Seals Lubrication Hole and an Annular Groove in Both Rings
Long Description	20MM Bore; 12MM Housing Width; 35MM Outside Diameter; Spherical Plain; Steel Outer Member; Steel Ball; No Liner; 24MM Overall Width; Relubricatable
Inch - Metric	Metric
Category	Plain Bearings Spherical Radial
UNSPSC	31171515



SNR Bearing Argentina

Harmonized Tariff Code	8483.30.80.70
Noun	Bearing
Keyword 3	Spherical
Keyword String	Plain Spherical Radial
Manufacturer URL	http://www.skf.com
Manufacturer Item Number	GEM 20 ES-2RS
Weight / LBS	0.161
Bore	0.787 Inch 20 Millimeter
Housing Width	0.472 Inch 12 Millimeter
Outside Diameter	1.378 Inch 35 Millimeter
Overall Width	0.945 Inch 24 Millimeter
bore diameter:	20 mm
inner ring material:	Steel
outside diameter:	35 mm
outer ring width:	12 mm
misalignment angle:	6 °
radial static load capacity:	146 kN
inner ring width:	24 mm
radial dynamic load capacity:	30 kN
bearing type:	Radial
operating temperature range:	-30 to +130 ° C ° F
lubrication type:	Requires Lubrication
overall width:	24 mm
closure type:	Sealed
manufacturer upc number:	7316577105172
outer ring material:	Steel
Lubricant	Regular relubrication – grease
Design (sliding contact surface combination)	Steel/steel
Sealing solution	Double-lip seals



SNR Bearing Argentina

	6 °
d_k	29 mm
d_1	24 mm
b_1	3.1 mm
r_1 min.	0.3 mm
r_2 min.	0.3 mm
d_a min.	23 mm
d_a max.	24 mm
D_a min.	30.9 mm
D_a max.	33.2 mm
r_a max.	0.3 mm
r_b max.	0.3 mm
Basic dynamic load rating C	30 kN
Basic static load rating C_0	146 kN
Specific dynamic load factor K	100 N/mm ²
Specific static load factor K_0	500 N/mm ²
Material constant K_M	330
Mass plain bearing	0.073 kg