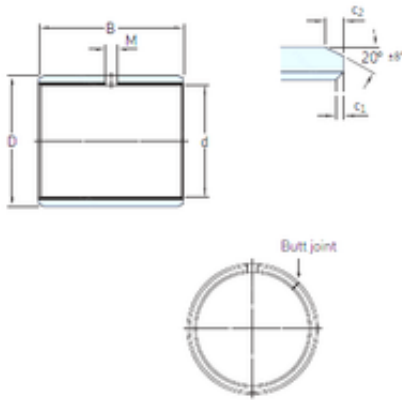




# SNR Bearing Argentina

69,85 mm x 74,613 mm x 88,9 mm SKF PCZ  
4456 E plain bearings



Bearing No. PCZ 4456 E

Size	69.85x74.613x88.9 mm
Bore Diameter	69,85 mm
Outer Diameter	74,613 mm
Width	88,9 mm
d	69,85 mm
D	74,613 mm
B	88,9 mm
c1 min	0,2 mm
c2 min	1,2 mm
M	– mm
Weight	0,365 Kg
Basic dynamic load rating (C)	490 kN
c <sub>1</sub> min.	0.2 mm
c <sub>1</sub> max.	1 mm
c <sub>2</sub> min.	1.2 mm
c <sub>2</sub> max.	2.4 mm
± 8	20 °
Shaft diameter range min.	69.804 mm
Shaft diameter range max.	69.85 mm
Housing bore range min.	74.569 mm
Housing bore range max.	74.6 mm
Basic dynamic load rating - radial direction C	490 kN
Basic static load rating - radial direction C <sub>0</sub>	1530 kN

PCZ 4456 E Bearing 2D drawings and 3D CAD models



## SNR Bearing Argentina

Specific dynamic load factor K	80 N/mm <sup>2</sup>
Specific static load factor K <sub>0</sub>	250 N/mm <sup>2</sup>
Factor depending on material and bearing type K <sub>M</sub>	480
Permissible sliding velocity v min.	0 m/s
Permissible sliding velocity v max.	2 m/s
Coefficient of friction μ min.	0.03
Coefficient of friction μ max.	0.25
Mass bushing	0.36 kg