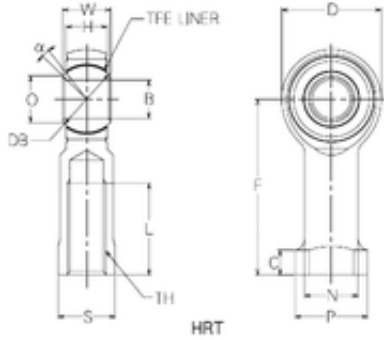




SNR Bearing Argentina

3 mm x 16 mm x 3 mm NMB HRT3 plain bearings



Bearing No. HRT3

Bore Diameter	3 mm
d	3 mm
P	9 mm
Db	8,73 mm
O	5,2 mm
B	3 mm
C	3,5 mm
D	16 mm
F	30 mm
H	5,25 mm
L	16 mm
N	7 mm
S	8 mm
W	7 mm
Angle	18 °
Thread (TH)	M3 x 0,5

HRT3 Bearing 2D drawings and 3D CAD models