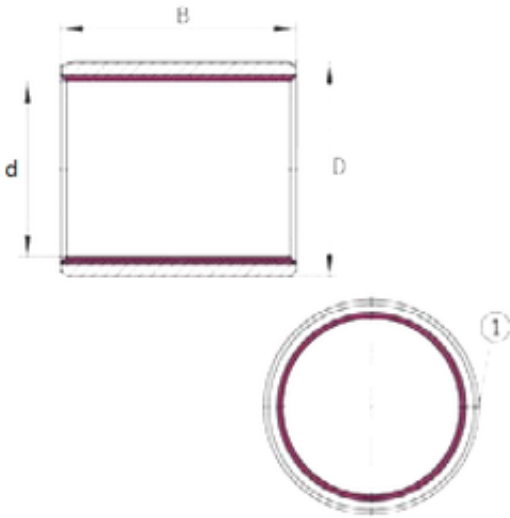




SNR Bearing Argentina



4 mm x 6 mm x 6 mm INA EGB0406-E40-B-6
plain bearings

Bearing No. EGB0406-E40-B-6

EGB0406-E40-B-6 Bearing 2D drawings and 3D CAD models

Size	4x6x6 mm
Bore Diameter	4 mm
Outer Diameter	6 mm
Width	6 mm
d	4 mm
D	6 mm
B	6 mm
Category	Sleeve Bearings
Inventory	0.0
Manufacturer Name	SCHAEFFLER GROUP
Minimum Buy Quantity	N/A
Weight / Kilogram	0.004
Product Group	B04264
Profile	Bushing No Flange Split
Material Description	Bronze Backing, Bronze Innerstructure, PTFE-lead Overlay
Material	Permaglide P11
Inch - Metric	Metric
Long Description	4MM Nominal Bore; 5.5MM Nominal Outside Diameter; 6MM Length Thru Bore; Bushing No Flange Split Profile; Bronze Backing, Bronze Innerstructure, PTFE-lead Overlay; Permaglide P11 Material



SNR Bearing Argentina

Category	Sleeve Bearings
UNSPSC	31171515
Harmonized Tariff Code	84833080
Noun	Bearing
Keyword String	Plain
Manufacturer URL	http://www.ina.com
Manufacturer Item Number	PAP0406P11
Weight / LBS	0.009
Nominal Bore	0.157 Inch 4 Millimeter
Length Thru Bore	0.236 Inch 6 Millimeter
Nominal Outside Diameter	0.217 Inch 5.5 Millimeter