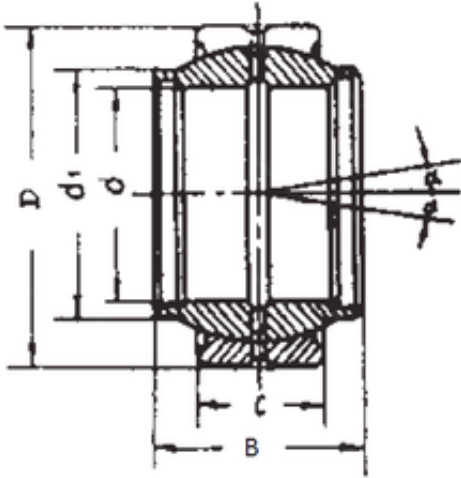




SNR Bearing Argentina



320 mm x 440 mm x 160 mm FBJ GEC320XS
plain bearings

Bearing No. GEC320XS

Size	320x440x160 mm
Bore Diameter	320 mm
Outer Diameter	440 mm
Width	160 mm
d	320 mm
D	440 mm
B	160 mm
C	135 mm
d1	340 mm
Angle	4 °
Weight	77 Kg
Basic dynamic load rating (C)	4400 kN

GEC320XS Bearing 2D drawings and 3D CAD models