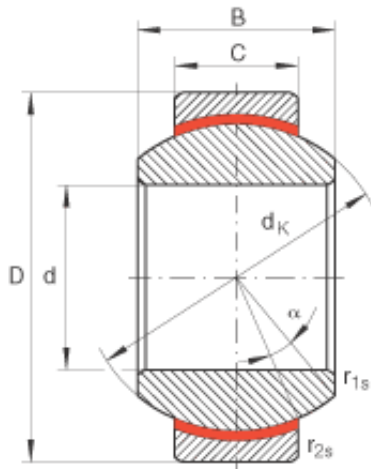




# SNR Bearing Argentina



GE8-FW Bearing 2D drawings and 3D CAD models

## INA GE8-FW plain bearings

Bearing No. GE8-FW

Size	8x19x11 mm
Bore Diameter	8 mm
Outer Diameter	19 mm
Width	11 mm
C	6 mm
$D_{a \min}$	15,5 mm
$d_{a \max}$	11,6 mm
$d_K$	16 mm
$r_{1s \min}$	0,3 mm
$r_{2s \min}$	0,3 mm
alf ( ° )	21
Weight (kg)	0,014
$C_r$ (N)	8640
$C_{Or}$ (N)	21600
Category	Spherical Plain Bearings - Radial
Inventory	0.0
Manufacturer Name	SCHAEFFLER GROUP
Minimum Buy Quantity	N/A
Weight / Kilogram	0.021
EAN	4012802111705
Product Group	B04264
Self Aligning	Yes
Rolling Element	Spherical Plain
Material - Outer Member	Steel
Material - Ball	Steel



## SNR Bearing Argentina

Material - Liner	Teflon
Relubricatable	No
Enclosure	Open
Other Features	2 Piece   Wide Inner Ring   Larger Tilt Angle
Long Description	8MM Bore; 6MM Housing Width; 19MM Outside Diameter; Spherical Plain; Steel Outer Member; Steel Ball; Teflon Liner; 11MM Overall Width; Not Relubricatable
Inch - Metric	Metric
Category	Plain Bearings Spherical Radial
UNSPSC	31171515
Harmonized Tariff Code	8483.30.80.70
Noun	Bearing
Keyword 3	Spherical
Keyword String	Plain Spherical Radial
Manufacturer URL	<a href="http://www.ina.com">http://www.ina.com</a>
Manufacturer Item Number	GE8FW
Weight / LBS	0.031
Bore	0.315 Inch   8 Millimeter
Housing Width	0.236 Inch   6 Millimeter
Overall Width	0.433 Inch   11 Millimeter
Outside Diameter	0.748 Inch   19 Millimeter