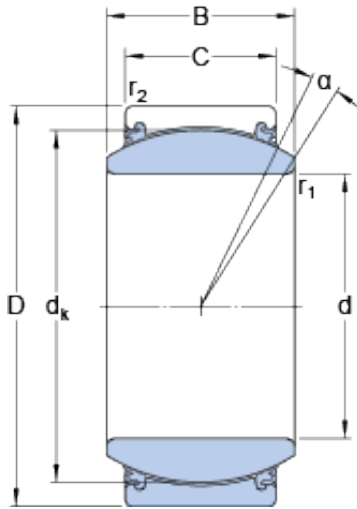




## SNR Bearing Argentina



GE 40 TXE-2LS Bearing 2D drawings and 3D CAD models

40 mm x 62 mm x 28 mm SKF GE 40 TXE-2LS  
plain bearings

Bearing No. GE 40 TXE-2LS

Size	62x40x28 mm
Bore Diameter	62 mm
Outer Diameter	40 mm
Width	28 mm
d	40 mm
D	62 mm
B	28 mm
C	22 mm
	6 °
d <sub>k</sub>	53 mm
b <sub>1</sub>	3.9 mm
r <sub>1</sub> - min.	0.6 mm
r <sub>2</sub> - min.	1 mm
d <sub>a</sub> - min.	43.5 mm
d <sub>a</sub> - max.	45 mm
D <sub>a</sub> - min.	54.5 mm
D <sub>a</sub> - max.	57.5 mm
r <sub>a</sub> - max.	0.6 mm
r <sub>b</sub> - max.	1 mm
Basic dynamic load rating - C	280 kN
Basic static load rating - C <sub>0</sub>	465 kN
Specific factor dinamic load - K	300 N/mm <sup>2</sup>
Specific factor static load - K <sub>0</sub>	500 N/mm <sup>2</sup>



## SNR Bearing Argentina

Category	Spherical Plain Bearings - Radial
Inventory	0.0
Manufacturer Name	SKF
Minimum Buy Quantity	N/A
Weight / Kilogram	0.32
EAN	7316571875590
Product Group	B04264
Self Aligning	Yes
Rolling Element	Spherical Plain
Material - Outer Member	Steel
Material - Ball	Steel
Material - Liner	Teflon
Relubricatable	No
Enclosure	2 Seals
Other Features	2 Piece   Maintenance Free   Chrome Plated Ball   Self Lubricating   Triple Lip Heavy Duty Seals
Long Description	40MM Bore; 22MM Housing Width; 62MM Outside Diameter; Spherical Plain; Steel Outer Member; Steel Ball; Teflon Liner; 28MM Overall Width; Not Relubricatable
Inch - Metric	Metric
Category	Plain Bearings Spherical Radial
UNSPSC	31171515
Harmonized Tariff Code	8483.30.80.70
Noun	Bearing
Keyword 3	Spherical
Keyword String	Plain Spherical Radial
Manufacturer URL	<a href="http://www.skf.com">http://www.skf.com</a>
Manufacturer Item Number	GE 40 TXE-2LS



## SNR Bearing Argentina

Weight / LBS	0.705
Housing Width	0.866 Inch   22 Millimeter
Outside Diameter	2.441 Inch   62 Millimeter
Bore	1.575 Inch   40 Millimeter
Overall Width	1.102 Inch   28 Millimeter
bore diameter:	40 mm
outer ring width:	22 mm
outside diameter:	62 mm
grade:	Commercial/Industrial
misalignment angle:	6 °
race material:	PTFE Composite
inner ring width:	28 mm
overall width:	28 mm
bearing type:	Radial
radial static load capacity:	465 kN
lubrication type:	Maintenance Free/Self-Lubricating
radial dynamic load capacity:	280 kN
closure type:	Triple Lip Seals
operating temperature range:	-50 to +150 ° C ° F
outer ring material:	Chrome Steel
manufacturer upc number:	7316571875590
inner ring material:	Steel
Lubricant	Maintenance free – dry lubrication
Design (sliding contact surface combination)	Steel/PTFE fabric
Sealing solution	Triple-lip seals
	6 °
d <sub>k</sub>	53 mm
r <sub>1</sub> min.	0.6 mm
r <sub>2</sub> min.	1 mm



## SNR Bearing Argentina

$d_a$ min.	43.5 mm
$d_a$ max.	45 mm
$D_a$ min.	54.5 mm
$D_a$ max.	57.5 mm
$r_a$ max.	0.6 mm
$r_b$ max.	1 mm
Basic dynamic load rating C	280 kN
Basic static load rating $C_0$	465 kN
Specific dynamic load factor K	300 N/mm <sup>2</sup>
Specific static load factor $K_0$	500 N/mm <sup>2</sup>
Mass plain bearing	0.32 kg