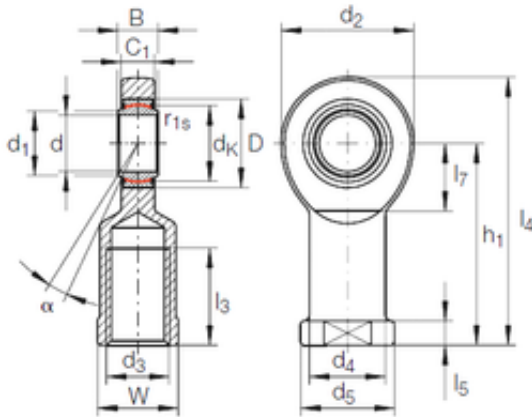




SNR Bearing Argentina

70 mm x 105 mm x 49 mm INA GIR 70 UK-2RS plain bearings



GIR 70 UK-2RS Bearing 2D drawings and 3D CAD models

Bearing No. GIR 70 UK-2RS

| | |
|-------------------------------|--------------|
| Size | 70x105x49 mm |
| Bore Diameter | 70 mm |
| Outer Diameter | 105 mm |
| Width | 49 mm |
| d | 70 mm |
| D | 105 mm |
| B | 49 mm |
| d1 | 77,8 mm |
| d2 | 160 mm |
| d4 | 80 mm |
| dk | 92 mm |
| h1 | 200 mm |
| l3 min. | 80 mm |
| l4 max. | 280 mm |
| l5 | 20 mm |
| l7 min. | 87 mm |
| r1 min. | 1 mm |
| C1 | 42 mm |
| W | 85 mm |
| Thread (G) | M56X42) |
| Angle | 6 ° |
| d5 | 98 r/min |
| Weight | 8,6 Kg |
| Basic dynamic load rating (C) | 885 kN |