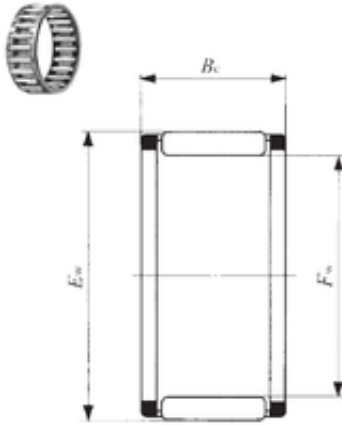




SNR Bearing Argentina



IKO KT 6910 needle roller bearings

Bearing No. KT 6910

Bore Diameter	6 mm
Outer Diameter	9 mm
Fw	6 mm
Ew	9 mm
Bc	10 mm
Weight	0,00145 Kg
Basic dynamic load rating (C)	3,01 kN
Basic static load rating (C0)	2,66 kN
Category	Needle Non Thrust Roller Bearings
Inventory	0.0
Manufacturer Name	IKO
Minimum Buy Quantity	N/A
Weight / Kilogram	0
EAN	4549557033551
Product Group	B04144
Rolling Element	Needle Roller Bearing
Component	Roller Assembly Only
Enclosure	Not Applicable
Self Aligning	No
Retainer	Yes
Number of Rows of Rollers	Single Row
Separable	No
Closed End	Not Applicable
Inch - Metric	Metric
Thrust Bearing	No

KT 6910 Bearing 2D drawings and 3D CAD models



SNR Bearing Argentina

Long Description	6MM Bore; 9MM Outside Diameter; 10MM Width; Needle Roller Bearing; Roller Assembly Only; Not Self Aligning; Retainer; Single Row of Rollers; Not Separable
Other Features	C3 Clearance
Category	Needle Non Thrust Roller Bearing
UNSPSC	31171512
Harmonized Tariff Code	8482.99.65.30
Noun	Roller Assembly
Keyword String	Bearing Needle
Manufacturer URL	http://www.ikont.com
Manufacturer Item Number	KT6910C3
Weight / LBS	0.003
Bore	0.236 Inch 6 Millimeter
Outside Diameter	0.354 Inch 9 Millimeter
Width	0.394 Inch 10 Millimeter