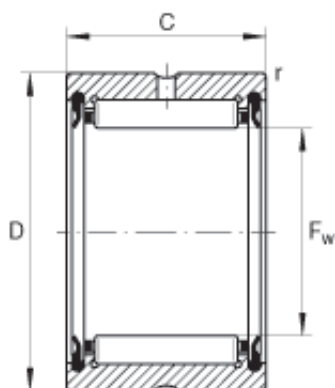




# SNR Bearing Argentina

## INA RNA4906-2RSR needle roller bearings



Bearing No. RNA4906-2RSR

Size	35x47x17 mm
Bore Diameter	35 mm
Outer Diameter	47 mm
Width	17 mm
$F_w$	35 mm
D	47 mm
C	17 mm
$r_{min}$	0,3 mm
m	69 g / Weight
$C_r$	23900 N / Dynamic load rating (radial)
$C_{Or}$	28500 N / Static load rating (radial)
$C_{ur}$	5400 N / Fatigue limit load, radial
$n_{G\text{ Fett}}$	5500 1/min / Limiting speed for grease lubrication
Category	Needle Non Thrust Roller Bearings
Inventory	0.0
Manufacturer Name	SCHAEFFLER GROUP
Minimum Buy Quantity	N/A
Weight / Kilogram	0.07
EAN	4012802225761
Product Group	B04144
Rolling Element	Needle Roller Bearing
Component	Roller Assembly with Outer Ring - No Inner Ring

RNA4906-2RSR Bearing 2D drawings and 3D CAD models



## SNR Bearing Argentina

Enclosure	2 Seals
Self Aligning	No
Retainer	Yes
Number of Rows of Rollers	Single Row
Separable	No
Closed End	No
Inch - Metric	Metric
Relubricatable	Yes
Thrust Bearing	No
Long Description	35MM Bore; 47MM Outside Diameter; 17MM Width; Needle Roller Bearing; Roller Assembly with Outer Ring - No Inner Ring; 2 Seals; Not Self Aligning; Retainer; Single Row of Rollers; Not Separable; Not CI
Other Features	2 Rib Outer Ring   Precision   Steel Cage   Ground Raceway with Rib   Oil Hole
Category	Needle Non Thrust Roller Bearing
UNSPSC	31171512
Harmonized Tariff Code	8482.99.65.30
Noun	Roller Assembly with Outer Ring
Keyword String	Bearing Needle
Manufacturer URL	<a href="http://www.ina.com">http://www.ina.com</a>
Manufacturer Item Number	RNA49062RS
Weight / LBS	0.152
Outside Diameter	1.85 Inch   47 Millimeter
Width	0.669 Inch   17 Millimeter
Bore	1.378 Inch   35 Millimeter