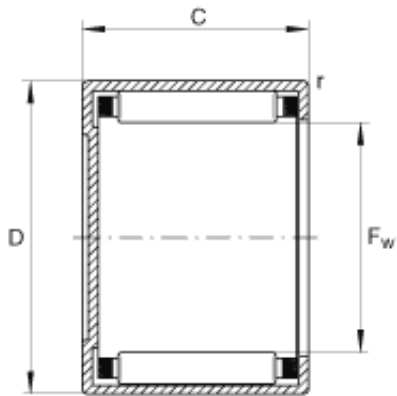




# SNR Bearing Argentina

## INA BCH208 needle roller bearings



Bearing No. BCH208

Size	31.75x41.275x12.7 mm
Bore Diameter	31,75 mm
Outer Diameter	41,275 mm
Width	12,7 mm
$F_w$	1 1/4 inch
$F_w$	31,75 mm
D	1,625 inch
D	41,275 mm
C	0,5 inch
C	12,7 mm
m	0,079 lbs / Weight
m	36 g / Weight
$C_r$	3700 lbf / Dynamic load rating (radial)
$C_r$	16400 N / Dynamic load rating (radial)
$C_{0r}$	4700 lbf / Static load rating (radial)
$C_{0r}$	21000 N / Static load rating (radial)
$n_G$	7900 1/min / Limiting speed

BCH208 Bearing 2D drawings and 3D CAD models