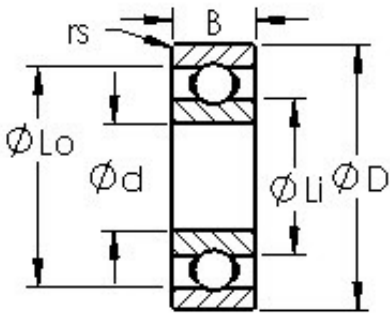




SNR Bearing Argentina



AST SR1-4 deep groove ball bearings

Bearing No. SR1-4

Bore Diameter	1,98374 mm
Outer Diameter	6,35 mm
Width	2,38 mm
Bearing Type	Open
Bore Dia (d)	0.0781
Outer Dia (D)	0.2500
Width (B)	0.0937
Radius (min) (rs)	0.004
Dynamic Load Rating (Cr)	54
Static Load Rating (Cor)	17
Max Speed (Grease) (X1000 RPM)	67
Max Speed (Oil) (X1000 RPM)	80
Max. Shaft Shoulder Dia. Inner (Li)	0.2
Min. Housing Shoulder Dia., Outer (Lo)	0.2
Ball Qty	7
Ball Dia (Dw)	0.0394
Weight (g)	0.40
Precision	A1
Standard Clearance	K25
Material	Martensitic Stainless Steel

SR1-4 Bearing 2D drawings and 3D CAD models