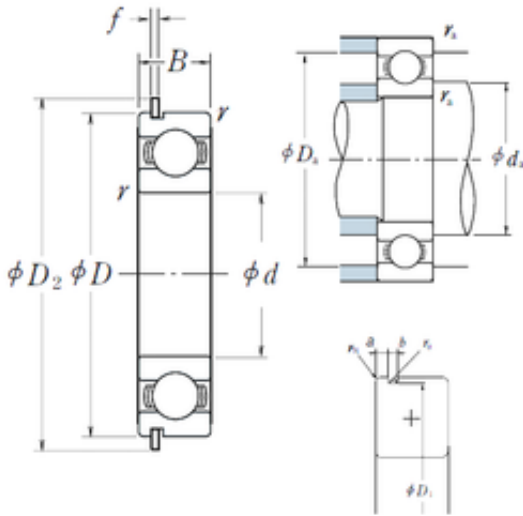




SNR Bearing Argentina

12 mm x 32 mm x 10 mm NSK 6201NR deep groove ball bearings

Bearing No. 6201NR



6201NR Bearing 2D drawings and 3D CAD models

Size	12x32x10 mm
Bore Diameter	12 mm
Outer Diameter	32 mm
Width	10 mm
d	12 mm
D	32 mm
B	10 mm
C	10 mm
rn	0,5 mm
a	2,06 mm
b	1,35 mm
f	1,12 mm
r min.	0,6 mm
r0 max.	0,4 mm
D1	30,15 mm
D2	36,7 mm
da min.	16 mm
da max	17 mm
Da max.	28 mm
ra max.	0,6 mm
Weight	0,037 Kg
Basic dynamic load rating (C)	6,8 kN
Basic static load rating (C0)	3,05 kN
(Grease) Lubrication Speed	22 000 r/min
(Oil) Lubrication Speed	28 000 r/min



SNR Bearing Argentina

Category	Single Row Ball Bearings
Inventory	0.0
Manufacturer Name	NSK
Minimum Buy Quantity	N/A
Weight / Kilogram	0.037
EAN	0029176063947
Product Group	B00308
Enclosure	Open
Precision Class	ABEC 1 ISO P0
Maximum Capacity / Filling Slot	No
Rolling Element	Ball Bearing
Snap Ring	Yes
Internal Special Features	No
Cage Material	Steel
Internal Clearance	C0-Medium
Inch - Metric	Metric
Long Description	12MM Bore; 32MM Outside Diameter; 10MM Outer Race Width; Open; Ball Bearing; ABEC 1 ISO P0; No Filling Slot; Yes Snap Ring; No Internal Special Features; C0-Medium Internal Clearance; Steel Cage
Other Features	Deep Groove With Snap Ring
Category	Single Row Ball Bearing
UNSPSC	31171504
Harmonized Tariff Code	8482.10.50.68
Noun	Bearing
Keyword String	Ball
Manufacturer URL	http://www.nskamericas.com
Weight / LBS	0.0816



SNR Bearing Argentina

Inner Race Width	0 Inch 0 Millimeter
Bore	0.472 Inch 12 Millimeter
Outside Diameter	1.26 Inch 32 Millimeter
Outer Race Width	0.394 Inch 10 Millimeter
SRI	3.01
hidYobi	6201NR
LangID	1
ro	0.4
D_	32
SREX	0.03
B_	10
da min	16
hidTable	ecat_NSRDGB
Oil rpm	28000
SRE	3.16
Cy	2.9
mass	0.037
GRS rpm	22000
ra	0.6
SRIX	0.015
D_a	28
SRIN	0
C0	3.05
fo	12.3
SREN	0
DE_	27.953
Prod_Type3	DGBB_SR_NR_OT
DA_	5.953
bomp	0
Z_	7
yobi	6201NR
Dx	37.5



SNR Bearing Argentina

C_conv	6800
ALPHA_	0
SDM_	22
r	0.6
KBRG	6101
SBRG	2
DI_	16.047