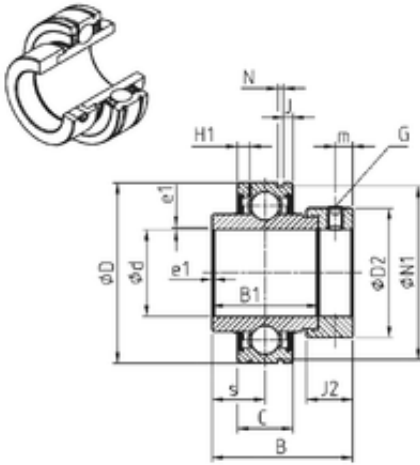




# SNR Bearing Argentina



49,2125 mm x 90 mm x 62,7 mm SNR  
CEX210-31 deep groove ball bearings

Bearing No. CEX210-31

Size	49.2125x90x62.7 mm
Bore Diameter	49,2125 mm
Outer Diameter	90 mm
Width	62,7 mm
d	49,2125 mm
D	90 mm
B	62,7 mm
B1	49,2 mm
C	24 mm
e	1,5 mm
a	3,96875 mm
m	6,5 mm
s	24,6 mm
D2	69,5 mm
H1	5,6 mm
J	3,7 mm
N	3,7 mm
N1	86,79 mm
Thread (G) - 5/16-24UNF	5/1624UNF
J2	18,3 mm
Weight	1,04 Kg
Basic dynamic load rating (C)	35,1 kN
b	2.7 mm
B2	18.3 mm
C1	5.6 mm

CEX210-31 Bearing 2D drawings and 3D CAD models



## SNR Bearing Argentina

d1	69.5 mm
G	5/16-24UNF
r	1.5
S	24.6 mm
SW	3.97 mm
C0	23.2 kN
T min.	-20 ° C
T max.	100 ° C
Recommended tightening torque for set screw	8 Nm