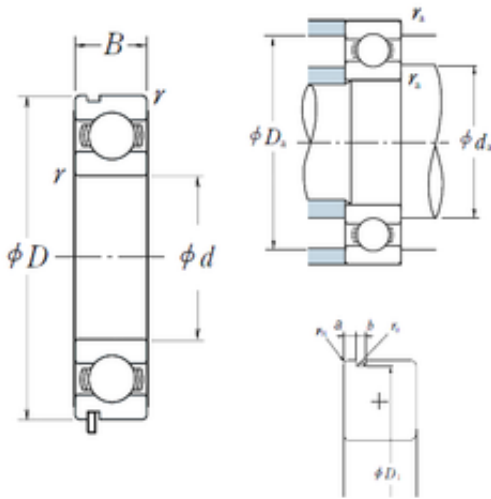




SNR Bearing Argentina

70 mm x 100 mm x 16 mm NSK 6914N deep groove ball bearings

Bearing No. 6914N



6914N Bearing 2D drawings and 3D CAD models

| | |
|-------------------------------|--------------|
| Size | 70x100x16 mm |
| Bore Diameter | 70 mm |
| Outer Diameter | 100 mm |
| Width | 16 mm |
| d | 70 mm |
| D | 100 mm |
| B | 16 mm |
| C | 16 mm |
| rn | 0,5 mm |
| a | 2,5 mm |
| b | 1,3 mm |
| r min. | 1 mm |
| r0 max. | 0,4 mm |
| D1 | 97,9 mm |
| da min. | 75 mm |
| da max | 77,5 mm |
| Da max. | 95 mm |
| ra max. | 1 mm |
| Weight | 0,349 Kg |
| Basic dynamic load rating (C) | 23,7 kN |
| Basic static load rating (C0) | 21,2 kN |
| (Grease) Lubrication Speed | 6 300 r/min |
| (Oil) Lubrication Speed | 7 500 r/min |
| SRI | 4.52 |
| hidYobi | 6914N |



SNR Bearing Argentina

| | |
|------------|--------------|
| LangID | 1 |
| ro | 0.4 |
| D_ | 100 |
| SREX | 0.02 |
| B_ | 16 |
| da min | 75 |
| hidTable | ecat_NSRDGB |
| Oil rpm | 7500 |
| SRE | 4.52 |
| mass | 0.349 |
| GRS rpm | 6300 |
| ra | 1 |
| SRIX | 0.02 |
| D_a | 95 |
| SRIN | -0.02 |
| C0 | 21.2 |
| fo | 16.3 |
| SREN | -0.02 |
| DE_ | 93.731 |
| Prod_Type3 | DGBB_SR_N_OT |
| DA_ | 8.731 |
| bomp | 0 |
| Z_ | 17 |
| yobi | 6914N |
| C_conv | 23700 |
| ALPHA_ | 0 |
| SDM_ | 85 |
| r | 1 |
| KBRG | 6101 |
| SBRG | 19 |
| DI_ | 76.269 |