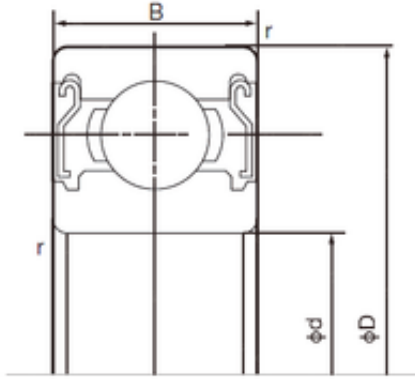




SNR Bearing Argentina

75 mm x 115 mm x 20 mm NACHI 6015ZZE
deep groove ball bearings



Bearing No. 6015ZZE

6015ZZE Bearing 2D drawings and 3D CAD models

Size	75x115x20 mm
Bore Diameter	75 mm
Outer Diameter	115 mm
Width	20 mm
d	75 mm
D	115 mm
B	20 mm
C	20 mm
r min.	1.1 mm
da min.	81 mm
Da max.	109 mm
ra max.	1.0 mm
Weight	0.645 Kg
Basic dynamic load rating (C)	39,5 kN
Basic static load rating (C0)	33,5 kN
Category	Single Row Ball Bearings
Inventory	0.0
Manufacturer Name	NACHI
Minimum Buy Quantity	N/A
Weight / Kilogram	0
Product Group	B00308
Enclosure	2 Metal Shields
Precision Class	ABEC 1 ISO P0
Maximum Capacity / Filling Slot	No



SNR Bearing Argentina

Rolling Element	Ball Bearing
Snap Ring	No
Internal Special Features	No
Cage Material	Steel
Internal Clearance	C0-Medium
Inch - Metric	Metric
Long Description	75MM Bore; 115MM Outside Diameter; 20MM Outer Race Width; 2 Metal Shields; Ball Bearing; ABEC 1 ISO P0; No Filling Slot; No Snap Ring; No Internal Special Features; C0-Medium Internal Clearance; Ste
Other Features	Deep Groove
Category	Single Row Ball Bearing
UNSPSC	31171504
Harmonized Tariff Code	8482.10.50.68
Noun	Bearing
Keyword String	Ball
Manufacturer URL	http://www.nachiamerica.com
Outer Race Width	0.787 Inch 20 Millimeter
Inner Race Width	0 Inch 0 Millimeter
Bore	2.953 Inch 75 Millimeter
Outside Diameter	4.528 Inch 115 Millimeter
Bore Type	Cylindrical Bore
Configuration	Single Row
Bore Size	75 mm
Width	20 mm
Fillet Radius/Chamfer	1.1 mm
Dynamic Load Rating	39,500 N
Static Load Rating	33,500 N
Limiting Speed - Grease	5,700 rpm



SNR Bearing Argentina

Factor fo	15.7
Radial Clearance	0.010 to 0.030 mm
da (min)	81 mm
Da (max)	109 mm
ra (max)	1 mm