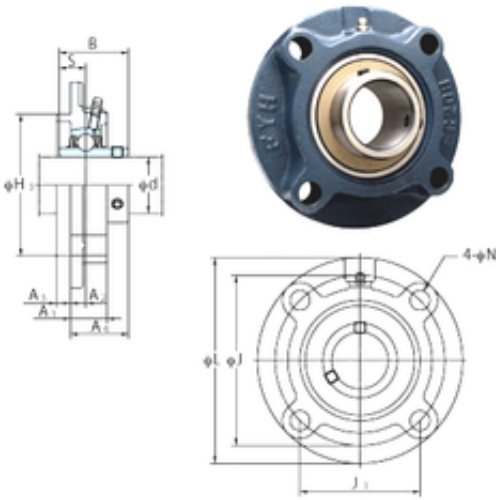




SNR Bearing Argentina

FYH UCFCX07E bearing units

Bearing No. UCFCX07E



UCFCX07E Bearing 2D drawings and 3D CAD models

| | |
|-------------------------------|-----------|
| Bore Diameter | 35 mm |
| d | 35 mm |
| H3 | 92,075 mm |
| A4 | 39,2 mm |
| A1 | 26 mm |
| B | 49,2 mm |
| J | 111 mm |
| L | 133 mm |
| N | 12 mm |
| S | 19 mm |
| Bolt (G) | M10 |
| A2 | 9 mm |
| A3 | 11 mm |
| J1 | 78,5 mm |
| Weight | 1,9 Kg |
| Basic dynamic load rating (C) | 29,1 kN |
| Basic static load rating (C0) | 17,8 kN |