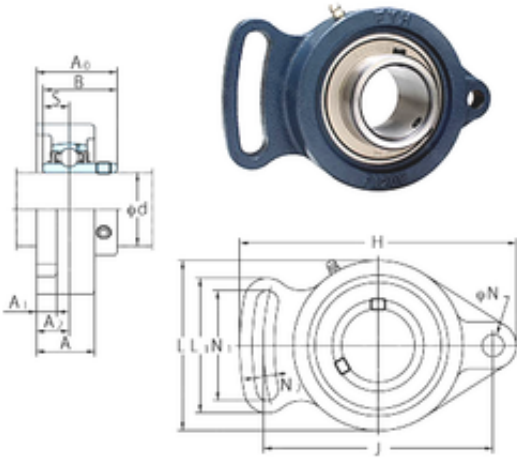




SNR Bearing Argentina

FYH UCFA207-20 bearing units

Bearing No. UCFA207-20



UCFA207-20 Bearing 2D drawings and 3D CAD models

Bore Diameter	31,75 mm
d	31,75 mm
A0	44 mm
A	34 mm
A1	14 mm
B	42,9 mm
H	155 mm
J	130 mm
L	96 mm
L1	75 mm
N	13 mm
N1	63 mm
S	17,5 mm
Bolt (G)	M12
A2	18,6 mm
N2	13 mm
Weight	1,5 Kg
Basic dynamic load rating (C)	25,7 kN
Basic static load rating (C0)	15,4 kN