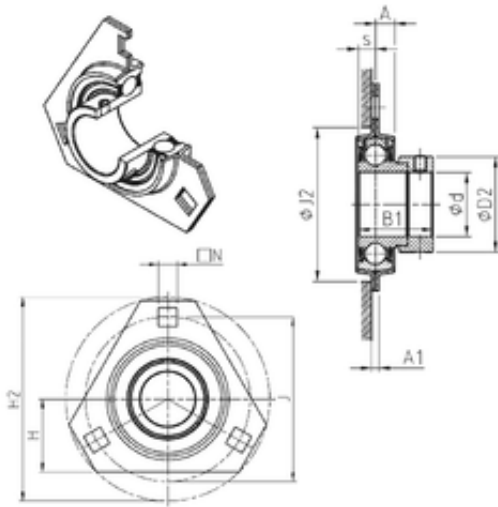




SNR Bearing Argentina



ESPFT207 Bearing 2D drawings and 3D CAD models

SNR ESPFT207 bearing units

Bearing No. ESPFT207

Bore Diameter	35 mm
d	35 mm
s	9,5 mm
A	10,5 mm
A1	5 mm
B1	38,9 mm
D2	55,6 mm
H	44,2 mm
H2	122,2 mm
J	100 mm
N	10,5 mm
J2	81 mm
Weight	1 Kg
Basic dynamic load rating (C)	25,7 kN