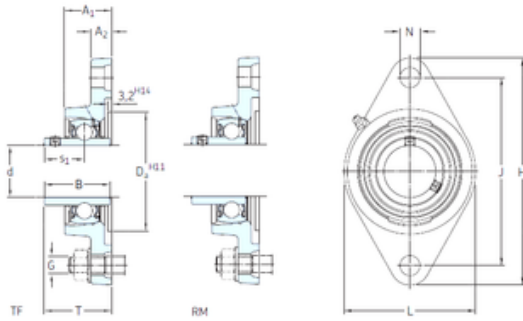




SNR Bearing Argentina



SKF FYT 1.7/16 FM bearing units

Bearing No. FYT 1.7/16 FM

Bore Diameter	36,513 mm
d	36,513 mm
Da	156 mm
s1	50,4 mm
A1	34,5 mm
B1	38,9 mm
G	29,4 mm
H	130,2 mm
J	96 mm
L	14,3 mm
N	12 mm
T	25,5 mm
A2	13 mm
Weight	1,3 Kg
Basic dynamic load rating (C)	15,3 kN
Basic static load rating (C0)	0,655 kN
Category	Flange Block Bearings
Inventory	0.0
Manufacturer Name	SKF
Minimum Buy Quantity	N/A
Weight / Kilogram	1.32
Product Group	M06110
Number of Mounting Holes	2
Mounting Method	Eccentric Collar
Housing Style	2 Bolt Flange Block
Rolling Element	Ball Bearing

FYT 1.7/16 FM Bearing 2D drawings and 3D CAD models



SNR Bearing Argentina

Housing Material	Cast Iron
Expansion / Non-expansion	Non-expansion
Mounting Bolts	1/2 Inch
Relubricatable	Yes
Insert Part Number	YET 207-107
Seals	M Seal
Housing Configuration	1 Piece Solid
Pilot Configuration	No Pilot
Inch - Metric	Inch
Long Description	2 Bolt Flange Block; 1-7/16" Bore; 5.1" Bolt Circle; 5-1/8" Bolt Spacing; 1 Piece Solid; Eccentric Collar Mount; Cast Iron; Ball Bearing; 1-17/32" Length Thru Bore; Relubricatable;
Other Features	Single Row Standard Duty Narrow Inner Race Open End Y Bearing
Category	Flange Block
UNSPSC	31171501
Harmonized Tariff Code	8483.20.40.40
Noun	Bearing
Keyword String	Flanged
Manufacturer URL	http://www.skf.com
Manufacturer Item Number	FYT 1.7/16 FM
Weight / LBS	2.9
Bore	1.438 Inch 36.525 Millimeter
Cartridge Pilot Depth	0 Inch 0 Millimeter
Nominal Bolt Circle Diameter Round	5.1 Inch 130 Millimeter
Length Thru Bore	1.531 Inch 38.9 Millimeter
Bolt Spacing	5.125 Inch 130.18 Millimeter



SNR Bearing Argentina

Cartridge Pilot Diameter	0 Inch 0 Millimeter
--------------------------	-----------------------