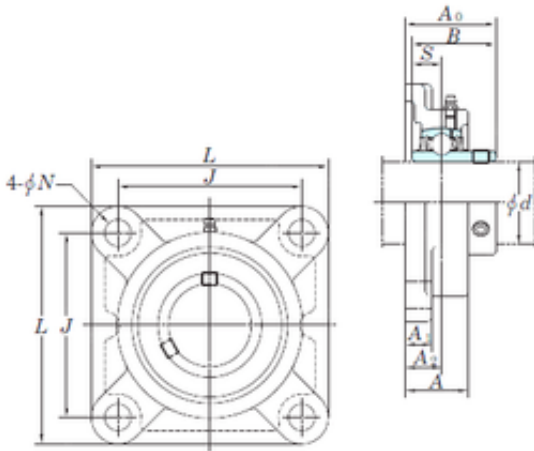




SNR Bearing Argentina

KOYO UCF308 bearing units



Bearing No. UCF308

Bore Diameter	40 mm
d	40 mm
A0	56 mm
A	40 mm
A1	17 mm
B	52 mm
J	112 mm
L	150 mm
N	19 mm
S	19 mm
Bolt (G)	M16
A2	23 mm
Weight	3,1 Kg
Basic dynamic load rating (C)	40,7 kN
Basic static load rating (C0)	24 kN
Bearing No.	UCF308
Bolt size	M16
Cr	40.7
C0r	24.0
f0	13.2
(Refer.)Unit mass(kg)	3.1
Nipple size	1/4-28UNF

UCF308 Bearing 2D drawings and 3D CAD models