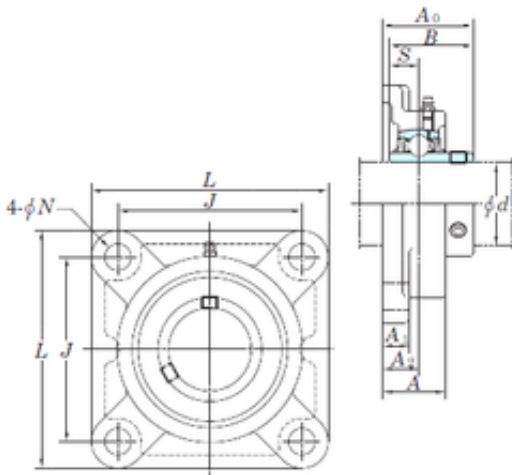




SNR Bearing Argentina



KOYO UCF211E bearing units

Bearing No. UCF211E

Bore Diameter	55 mm
d	55 mm
A0	58,4 mm
A	43 mm
A1	18 mm
B	55,6 mm
J	130 mm
L	162 mm
N	17 mm
S	22,2 mm
Bolt (G)	5/8
A2	25 mm
Weight	3,4 Kg
Basic dynamic load rating (C)	43,4 kN
Basic static load rating (C0)	29,4 kN

UCF211E Bearing 2D drawings and 3D CAD models