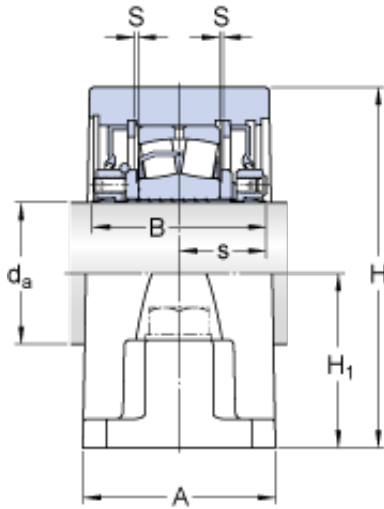




SNR Bearing Argentina



SYR 17/16 N Bearing 2D drawings and 3D CAD models

SKF SYR 17/16 N bearing units

Bearing No. SYR 17/16 N

Size	36.512x53.975x59.531 mm
Bore Diameter	36,512 mm
Outer Diameter	53,975 mm
Width	59,531 mm
d _a	36.512 mm
A	53.975 mm
B	59.531 mm
H	100.012 mm
H ₁	47.625 mm
H ₂	30.162 mm
L	174.625 mm
J - max.	139.7 mm
J - min.	119.062 mm
s	29.766 mm
S	0.794 mm
Basic dynamic load rating - C	96.5 kN
Limiting speed	5100 r/min
d _a	36.513 mm
H ₁	47.625 mm
H ₂	30.163 mm
J max.	139.7 mm
J min.	119.063 mm
Basic dynamic load rating C	96.5 kN
Mass bearing unit	3.15 kg
Attachment bolt diameter G	12.7 mm



SNR Bearing Argentina