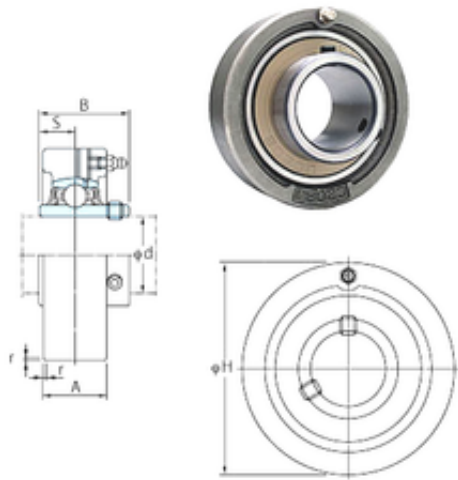




SNR Bearing Argentina



FYH UCC314 bearing units

Bearing No. UCC314

Bore Diameter	70 mm
Width	78 mm
d	70 mm
r	3 mm
A	52 mm
B	78 mm
H	180 mm
S	33 mm
Weight	6,7 Kg
Basic dynamic load rating (C)	104 kN
Basic static load rating (C0)	68,2 kN

UCC314 Bearing 2D drawings and 3D CAD models