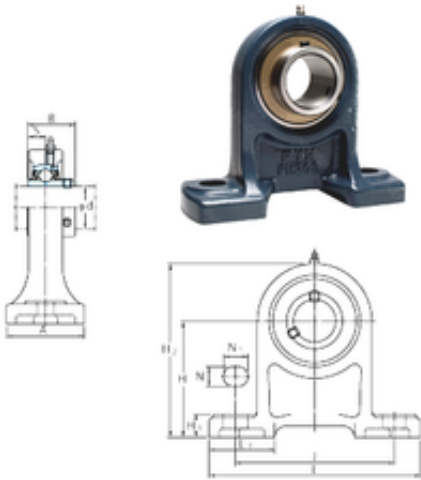




SNR Bearing Argentina

FYH UCPH206-18 bearing units



Bearing No. UCPH206-18

| | |
|-------------------------------|-----------|
| Bore Diameter | 28,575 mm |
| Width | 38,1 mm |
| d | 28,575 mm |
| A | 50 mm |
| B | 38,1 mm |
| H | 90 mm |
| H1 | 18 mm |
| H2 | 130 mm |
| J | 121 mm |
| L | 165 mm |
| L1 | 56 mm |
| N | 17 mm |
| N1 | 21 mm |
| S | 15,9 mm |
| Bolt (G) | M14 |
| Weight | 1,6 Kg |
| Basic dynamic load rating (C) | 19,5 kN |
| Basic static load rating (C0) | 11,3 kN |

UCPH206-18 Bearing 2D drawings and 3D CAD models