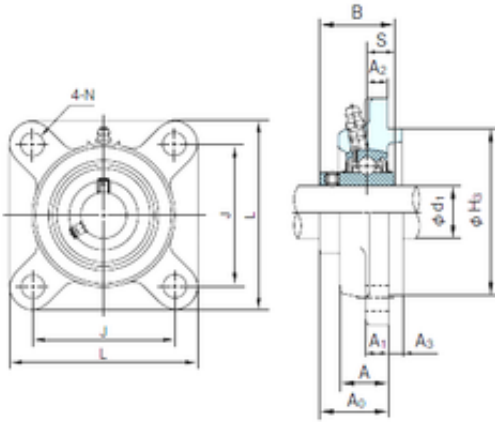




SNR Bearing Argentina

NACHI UCFS326 bearing units

Bearing No. UCFS326



UCFS326 Bearing 2D drawings and 3D CAD models

Bore Diameter	130 mm
d1	130 mm
H3	360 mm
A0	116 mm
A	85 mm
A1	45 mm
B	135 mm
J	320 mm
L	410 mm
N	41 mm
S	54 mm
Bolt (G)	M36
A2	35 mm
A3	30 mm